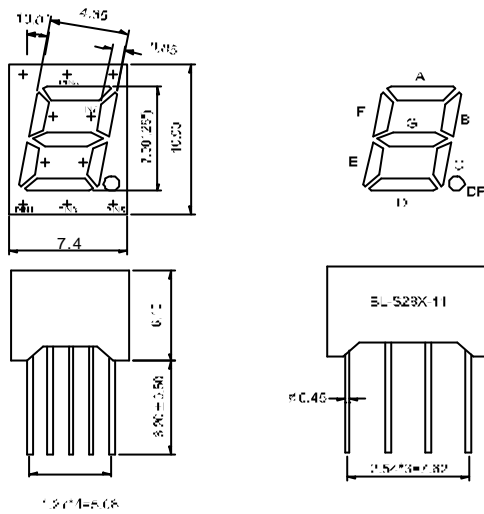


LED Component

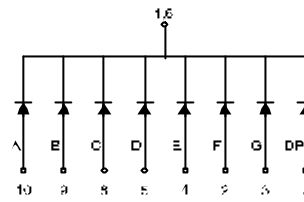
SINGLE DIGIT DISPLAY

BL-S28X-11 Series

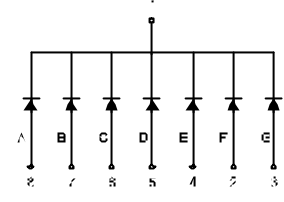


1.27" ± 0.08

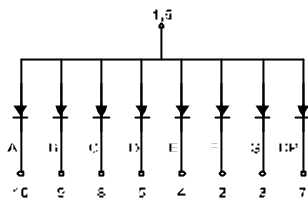
BL-S28A-11



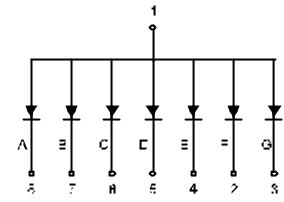
BL-S28C-11



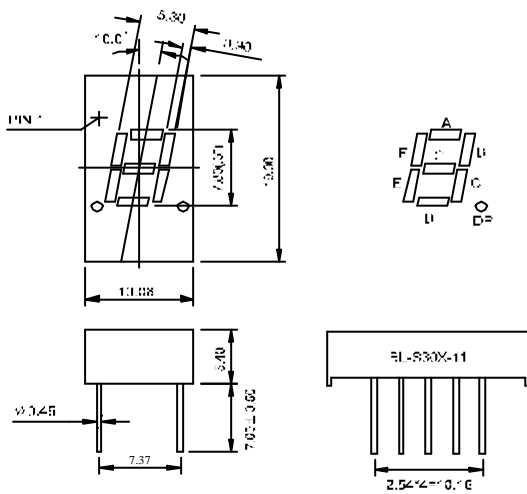
BL-S28B-11



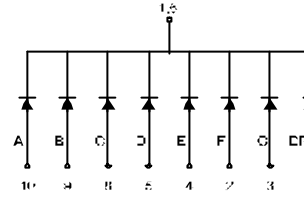
BL-S28D-11



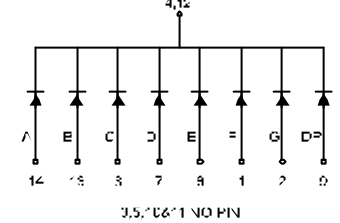
BL-S30X-11 Series



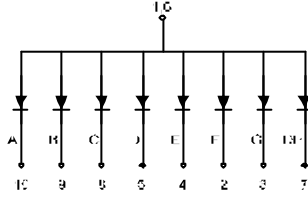
BL-S30A-11



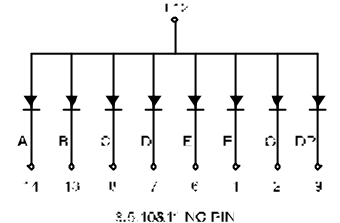
BL-S30C-11



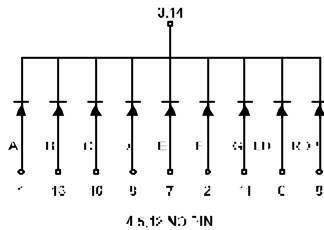
BL-S30B-11



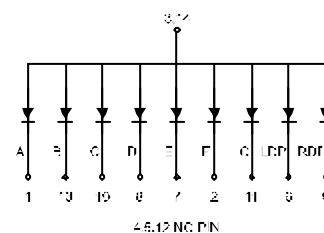
BL-S30D-11



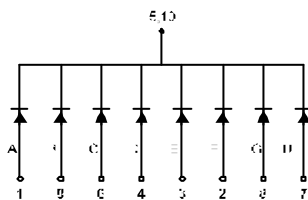
BL-S30E-11



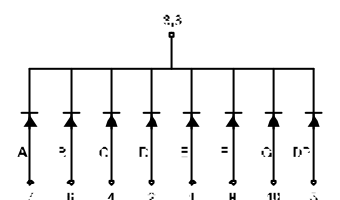
BL-S30F-11



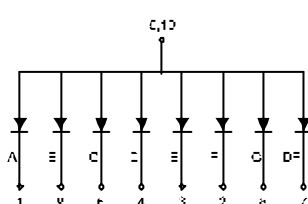
BL-S30G-11



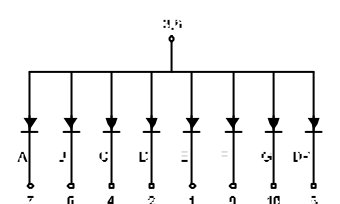
BL-S30I-11



BL-S30H-11



BL-S30J-11

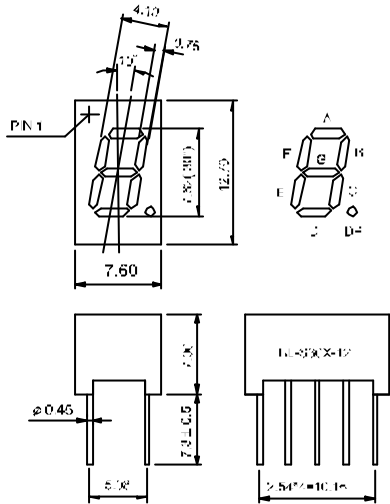


All dimensions are in millimeters (inches)
Tolerance is $\pm 0.25(0.01)$ unless otherwise noted.
Specifications are subject to change without notice.

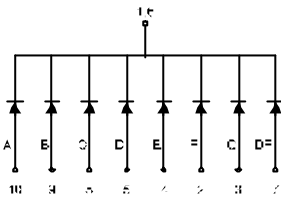
LED Component

SINGLE DIGIT DISPLAY

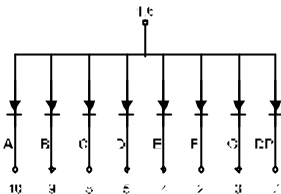
BL-S30X-12 Series



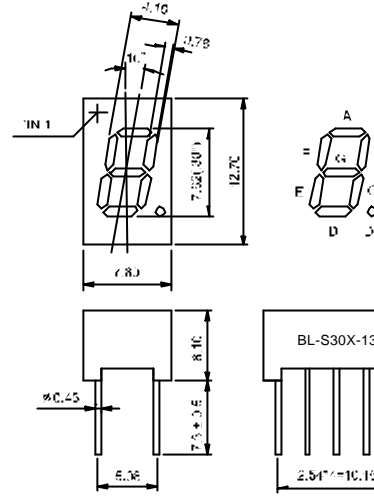
BL-S30A-12



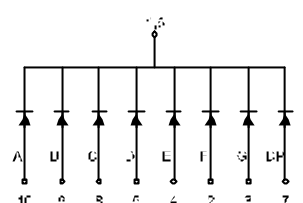
BL-S30B-12



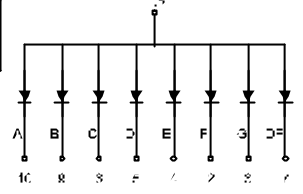
BL-S30X-13 Series



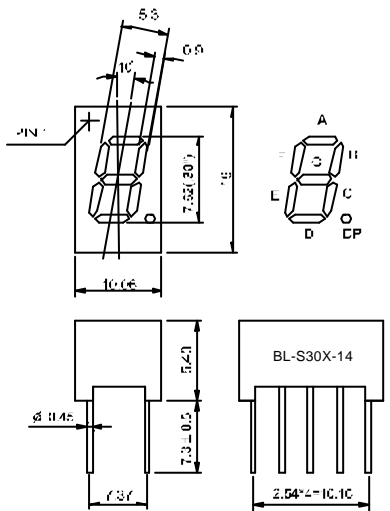
BL-S30A-13



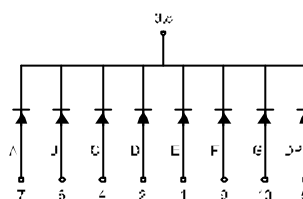
BL-S30B-13



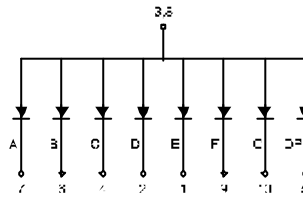
BL-S30X-14 Series



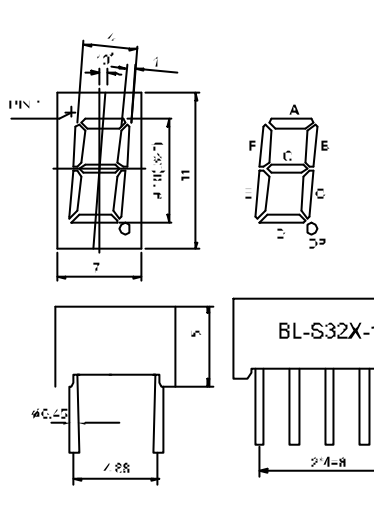
BL-S30A-14



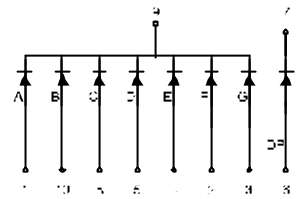
BL-S30B-14



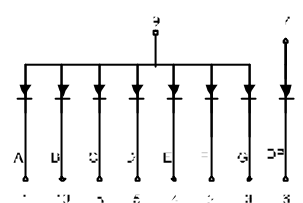
BL-S32X-11 Series



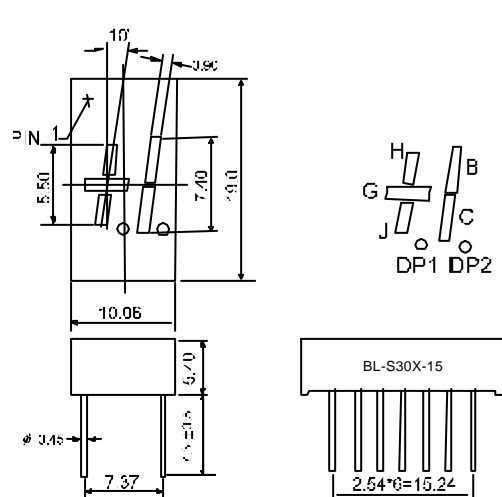
BL-S32A-11



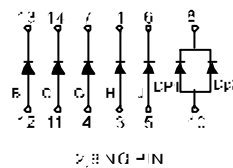
BL-S32B-11



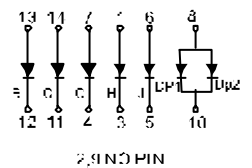
BL-S30X-15 Series



BL-S30A-15



BL-S30B-15

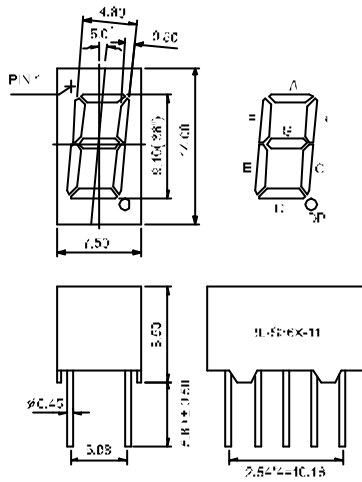


All dimensions are in millimeters (inches)
Tolerance is $\pm 0.25(0.01)$ unless otherwise noted.
Specifications are subject to change without notice.

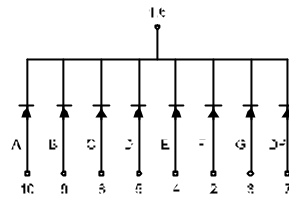
LED Component

SINGLE DIGIT DISPLAY

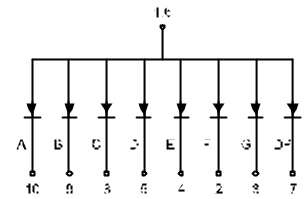
BL-S36X-11 Series



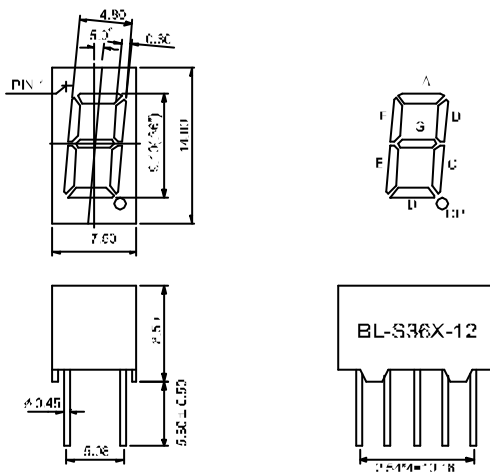
BL-S36A-11



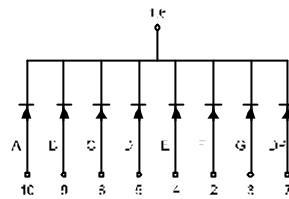
BL-S36B-11



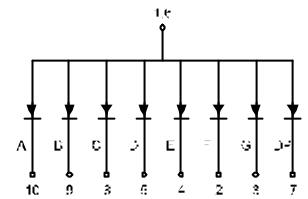
BL-S36X-12 Series



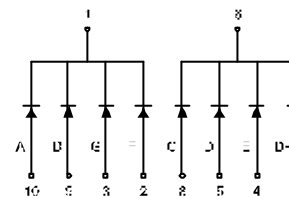
BL-S36A-12



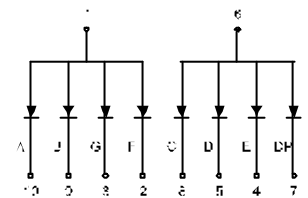
BL-S36B-12



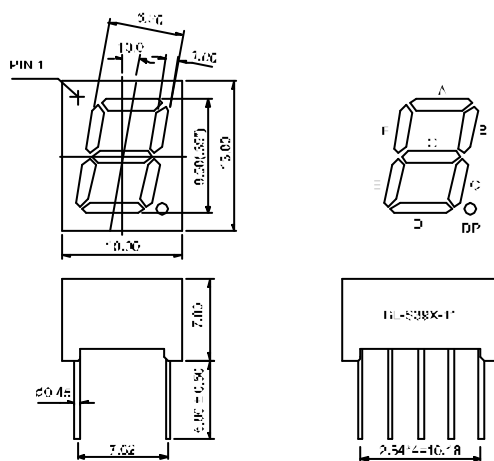
BL-S36C-12



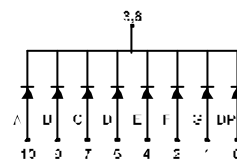
BL-S36D-12



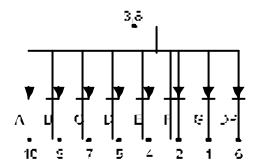
BL-S39X-11 Series



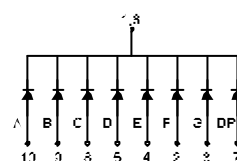
BL-S39A-11



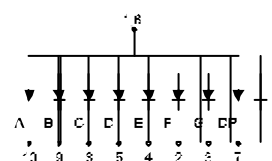
BL-S39B-11



BL-S39C-11



BL-S39D-11

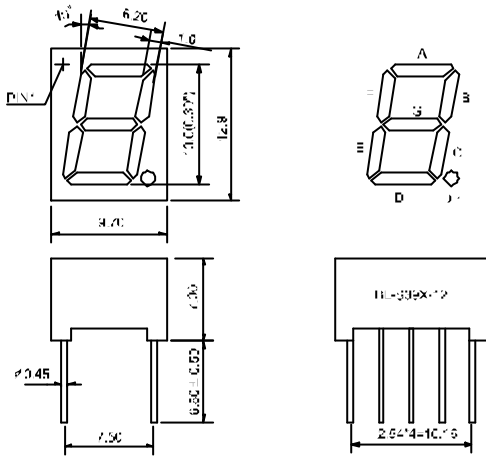


All dimensions are in millimeters (inches)
Tolerance is $\pm 0.25(0.01)$ unless otherwise noted.
Specifications are subject to change without notice.

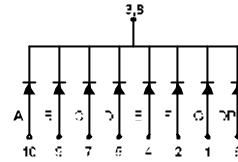
LED Component

SINGLE DIGIT DISPLAY

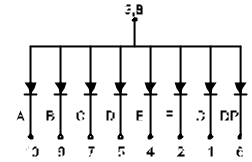
BL-S39X-12 Series



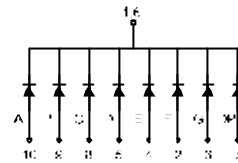
BL-S39A-12



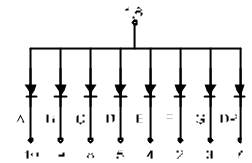
BL-S39B-12



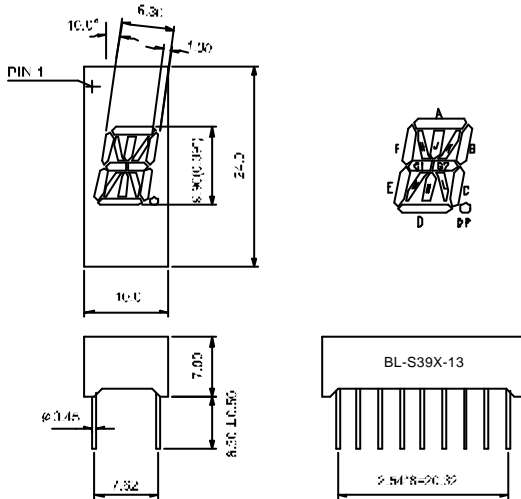
BL-S39C-12



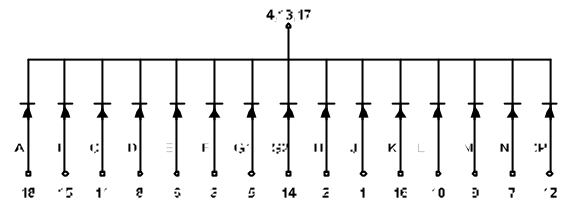
BL-S39D-12



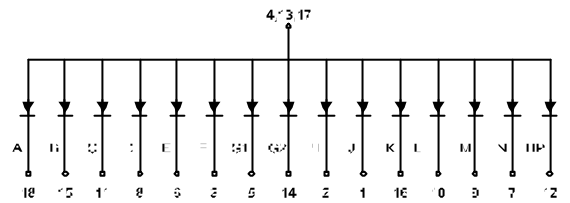
BL-S39X-13 Series



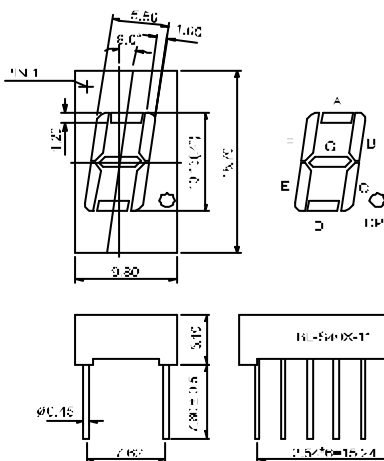
BL-S39A-13



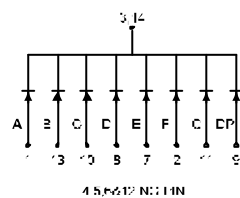
BL-S39B-13



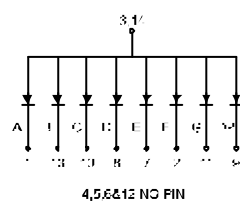
BL-S40X-11 Series



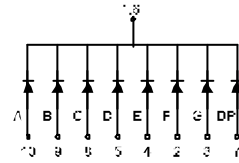
BL-S40A-11



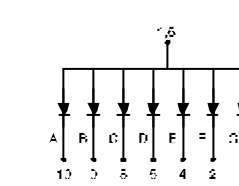
BL-S40B-11



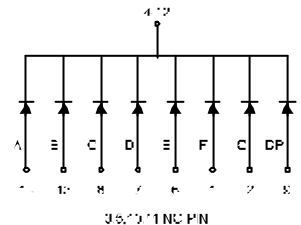
BL-S40C-11



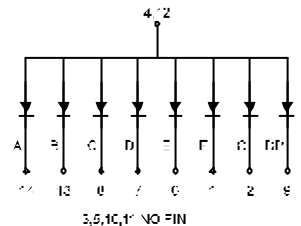
BL-S40D-11



BL-S40E-11



BL-S40F-11

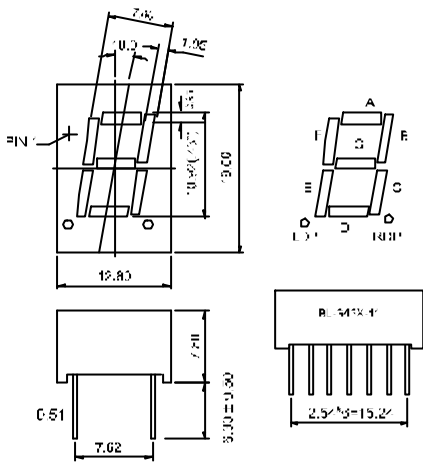


All dimensions are in millimeters (inches)
Tolerance is $\pm 0.25(0.01)$ unless otherwise noted.
Specifications are subject to change without notice.

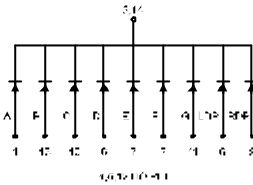
LED Component

SINGLE DIGIT DISPLAY

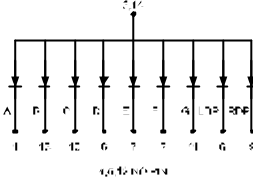
BL-S43X-11 Series



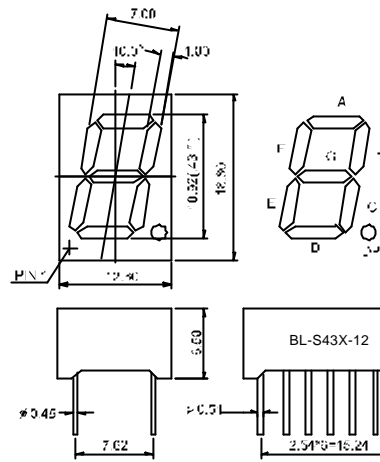
BL-S43A-11



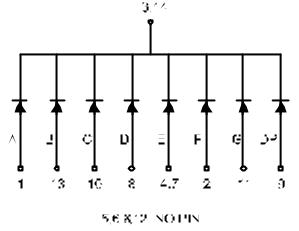
BL-S43B-11



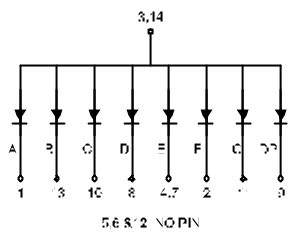
BL-S43X-12 Series



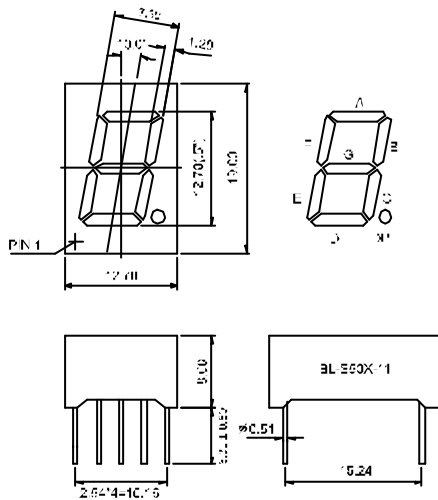
BL-S43A-12



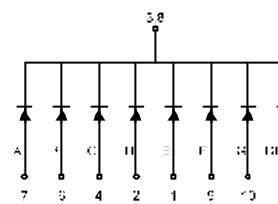
BL-S43B-12



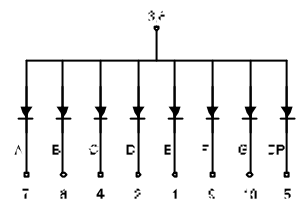
BL-S50X-11 Series



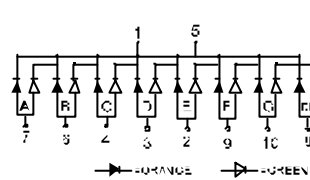
BL-S50A-11



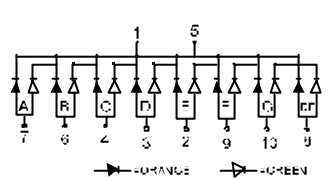
BL-S50B-11



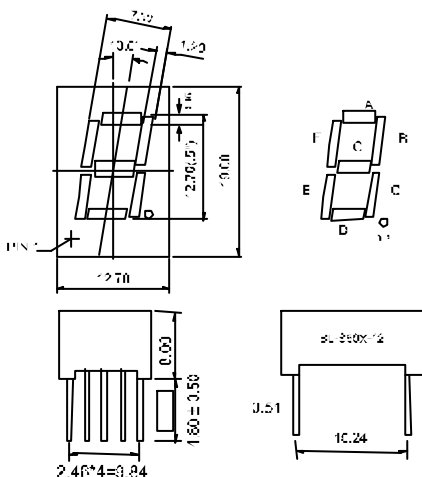
BL-S50A-11EG



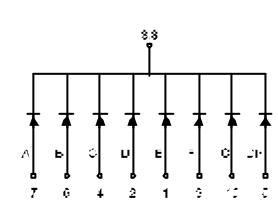
BL-S50B-11EG



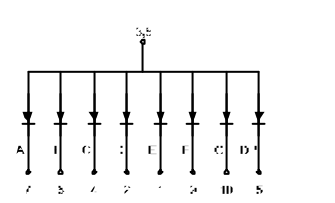
BL-S50X-12Series



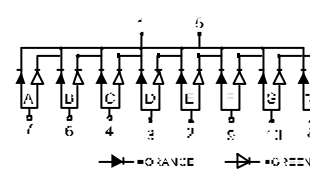
BL-S50A-12



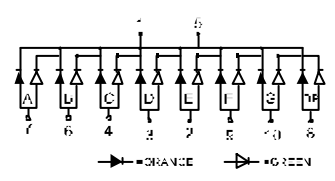
BL-S50B-12



BL-S50A-12EG



BL-S50B-12EG

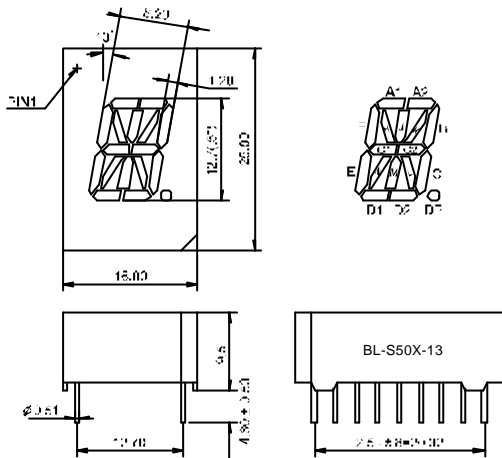


All dimensions are in millimeters (inches)
Tolerance is $\pm 0.25(0.01)$ unless otherwise noted.
Specifications are subject to change without notice.

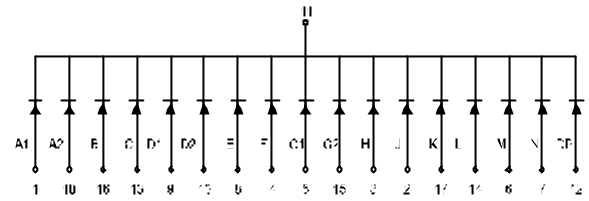
LED Component

SINGLE DIGIT DISPLAY

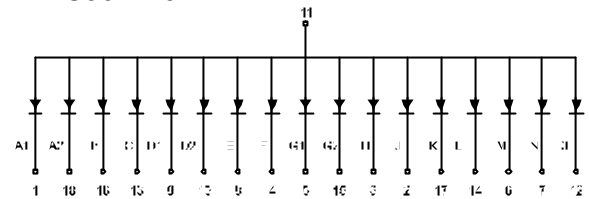
BL-S50X-13Series



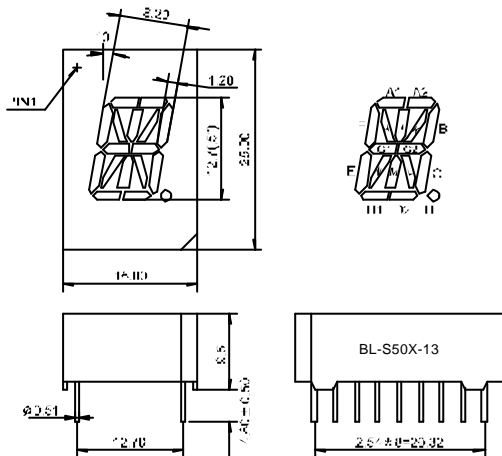
BL-S50A-13



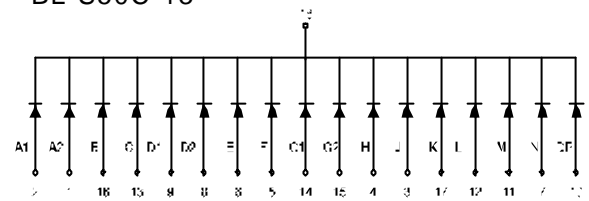
BL-S50B-13



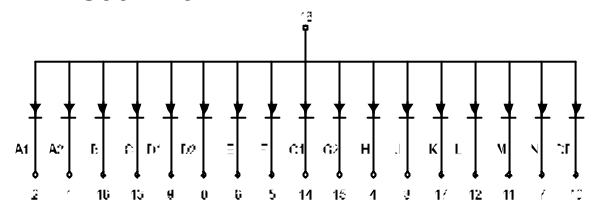
BL-S50X-13Series



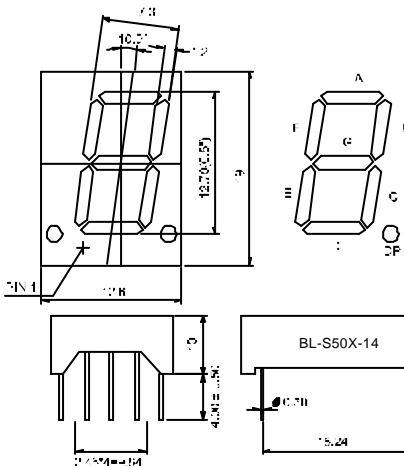
BL-S50C-13



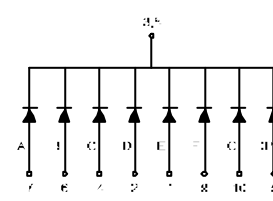
BL-S50D-13



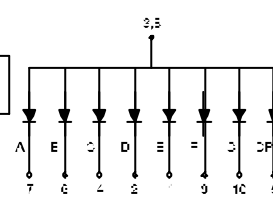
BL-S50X-14Series



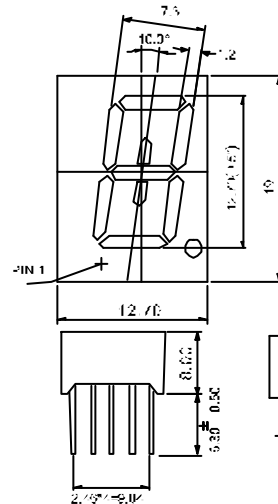
BL-S50A-14



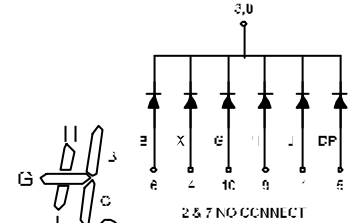
BL-S50B-14



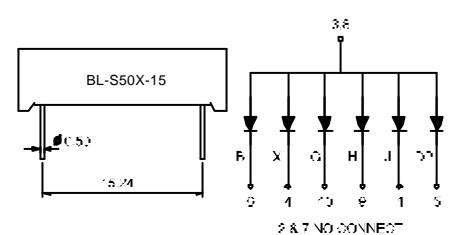
BL-S50X-15Series



BL-S50A-15



BL-S50B-15

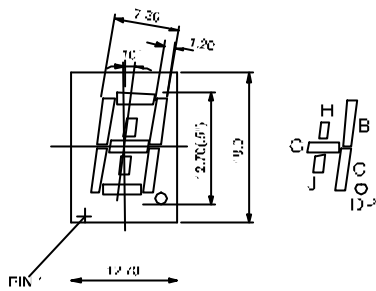


All dimensions are in millimeters (inches)
Tolerance is $\pm 0.25(0.01)$ unless otherwise noted.
Specifications are subject to change without notice.

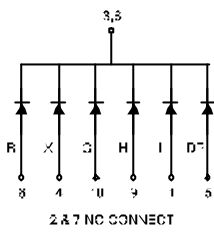
LED Component

SINGLE DIGIT DISPLAY

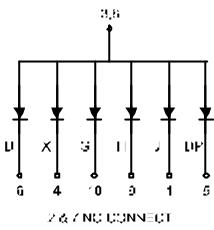
BL-S50X-16Series



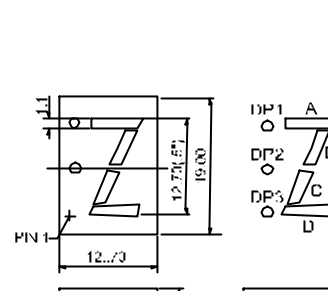
BL-S50A-16



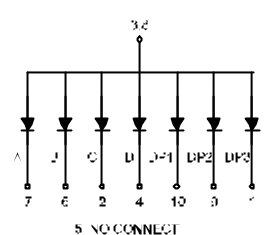
BL-S50B-16



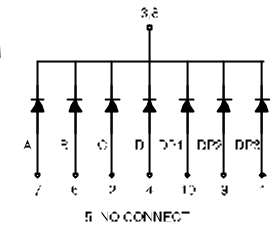
BL-S50X-17Series



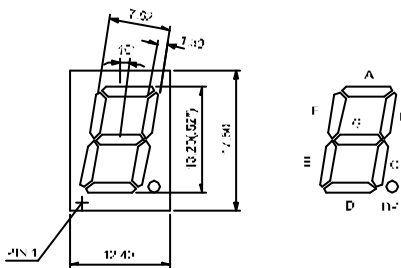
BL-S50A-17



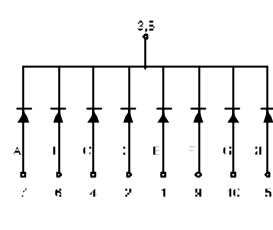
BL-S50B-17



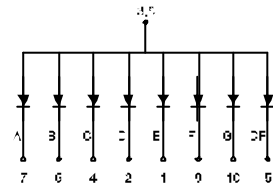
BL-S52X-11 Series



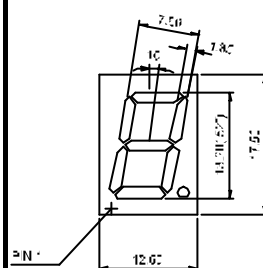
BL-S52A-11



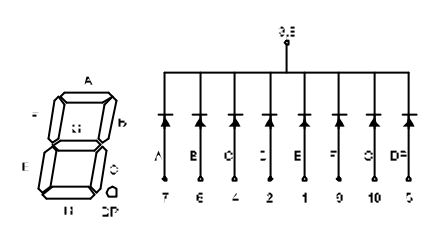
BL-S52B-11



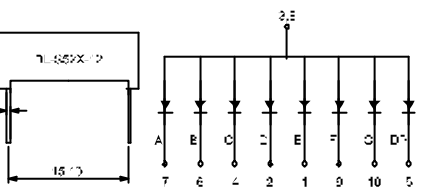
BL-S52X-12 Series



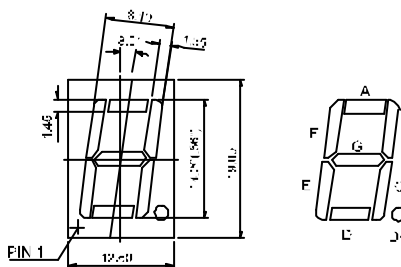
BL-S52A-12



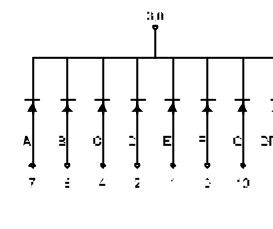
BL-S52B-12



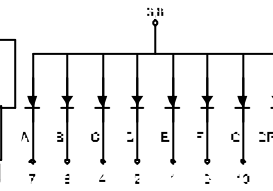
BL-S56X-11 Series



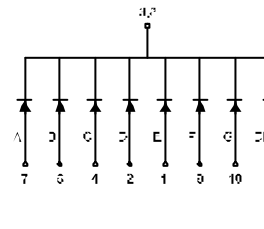
BL-S56A-11



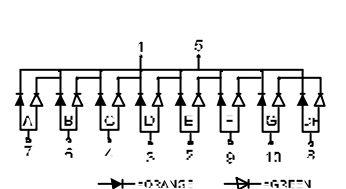
BL-S56B-11



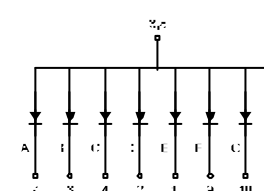
BL-S56C-11



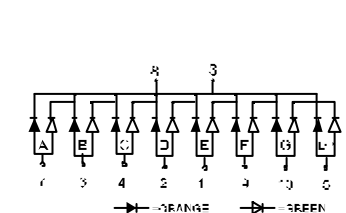
BL-S56A-11EG



BL-S56D-11



BL-S56C-11EG

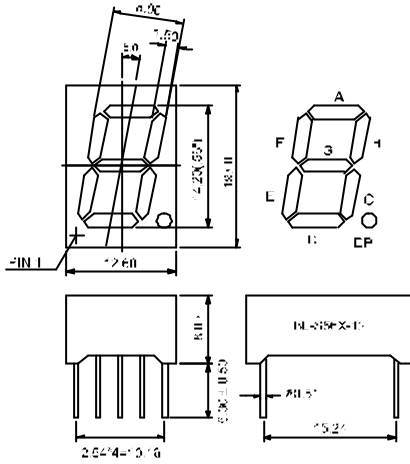


All dimensions are in millimeters (inches)
Tolerance is $\pm 0.25(0.01)$ unless otherwise noted.
Specifications are subject to change without notice.

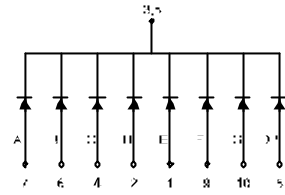
LED Component

SINGLE DIGIT DISPLAY

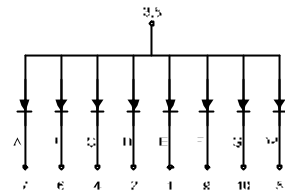
BL-S56X-12 Series



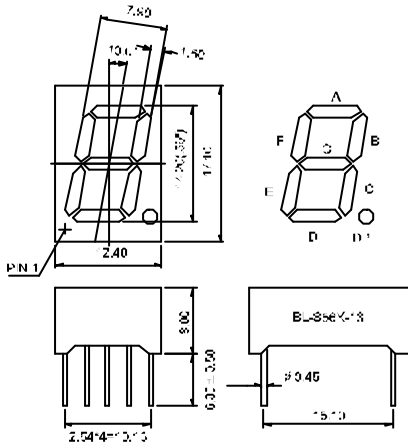
BL-S56A-12



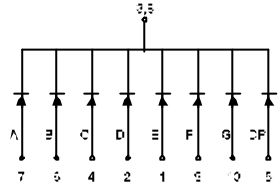
BL-S56B-12



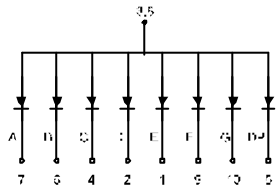
BL-S56X-13 Series



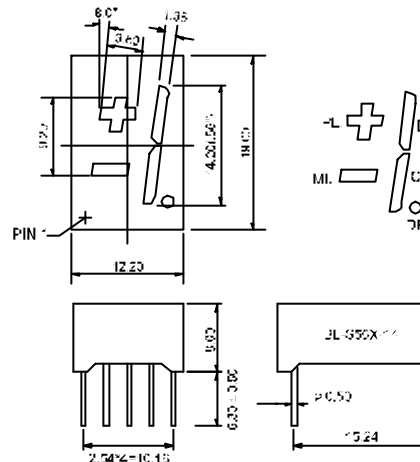
BL-S56A-13



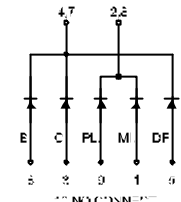
BL-S56B-13



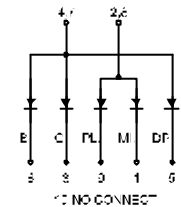
BL-S56X-14 Series



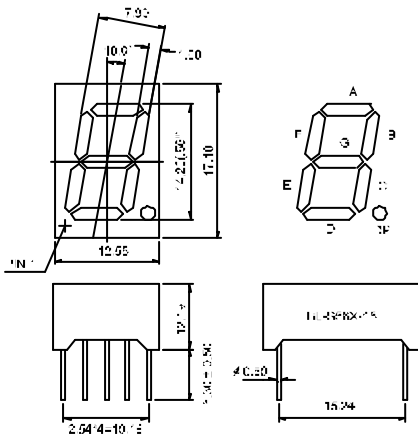
BL-S56A-14



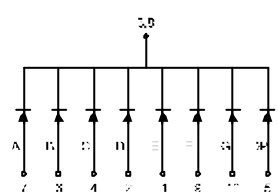
BL-S56B-14



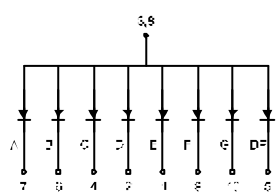
BL-S56X-15 Series



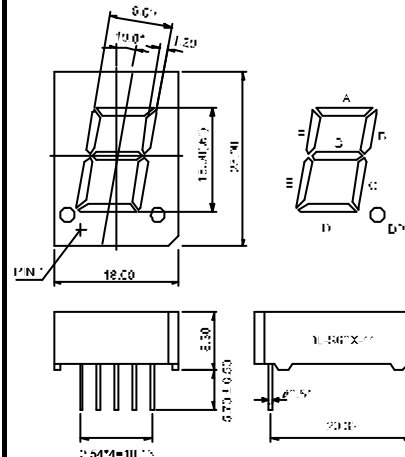
BL-S56A-15



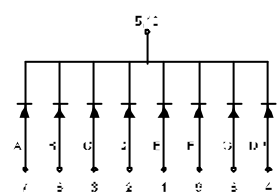
BL-S56B-15



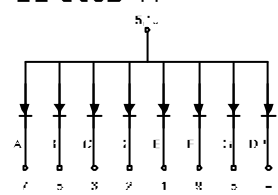
BL-S60X-11 Series



BL-S60A-11



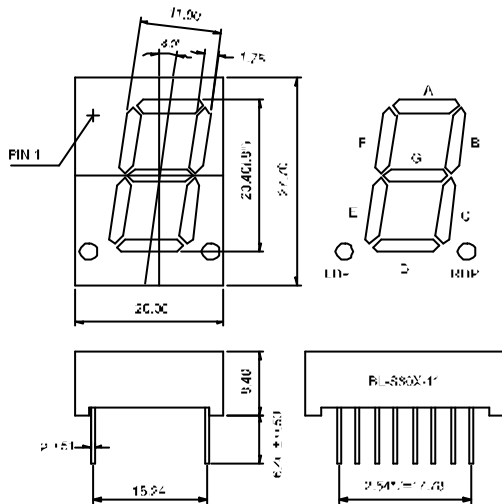
BL-S60B-11



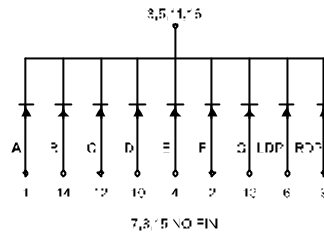
LED Component

SINGLE DIGIT DISPLAY

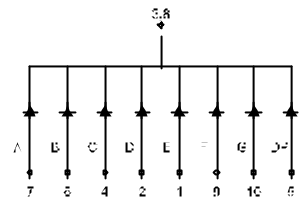
BL-S80X-11 Series



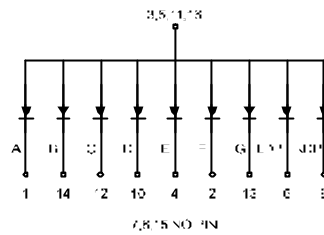
BL-S80A-11



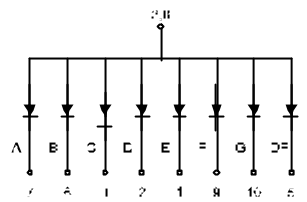
BL-S80C-11



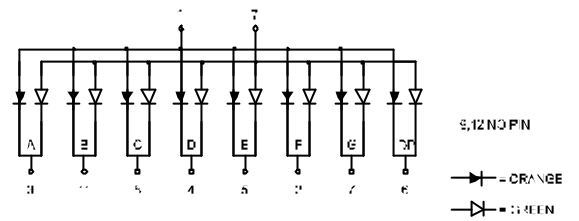
BL-S80B-11



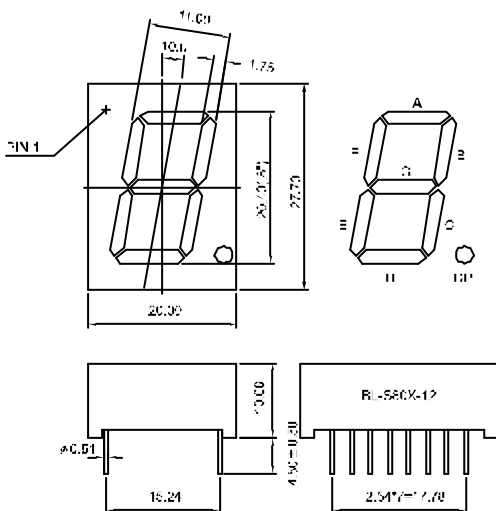
BL-S80D-11



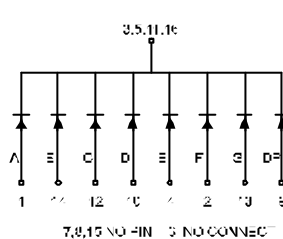
BL-S80B-11EG (BL-S80A-11EG.C.C.)



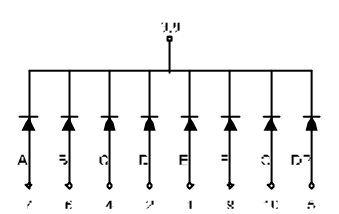
BL-S80X-12 Series



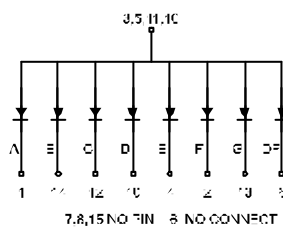
BL-S80A-12



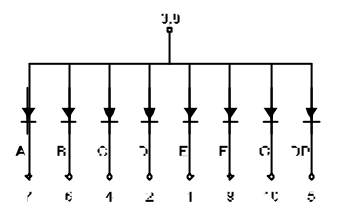
BL-S80C-12



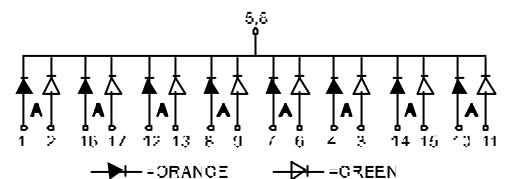
BL-S80B-12



BL-S80D-12



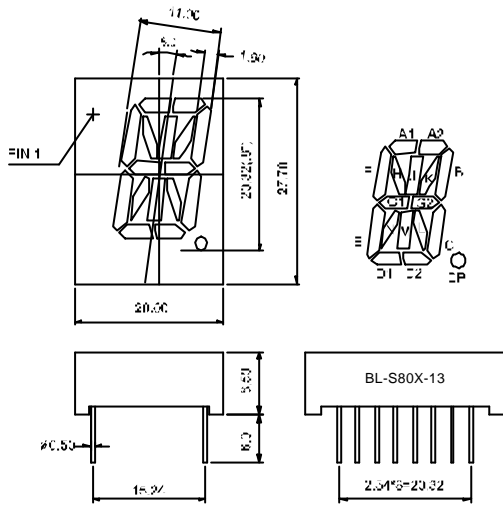
BL-S80A-12EG (BL-S80B-12EG.C.C.)



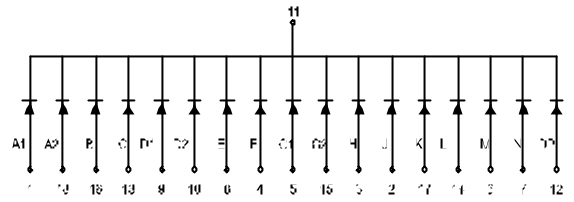
LED Component

SINGLE DIGIT DISPLAY

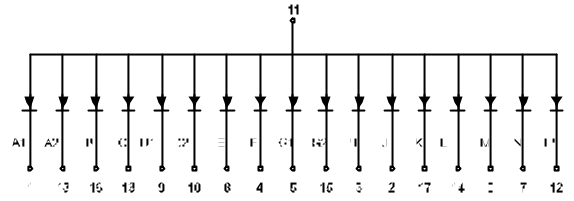
BL-S80X-13Series



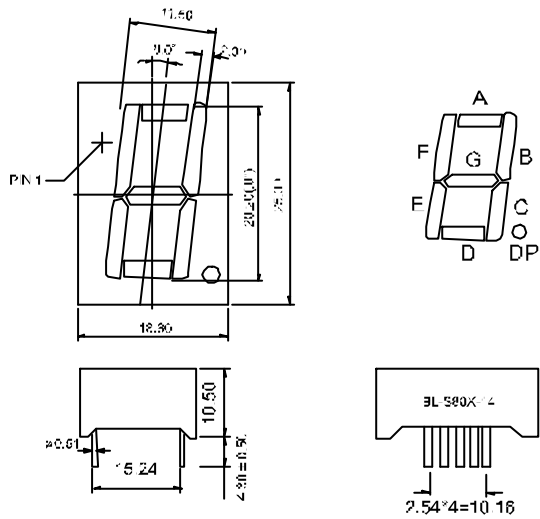
BL-S80A-13



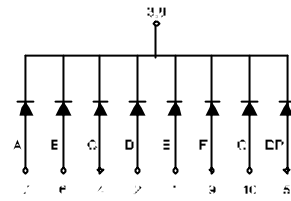
BL-S80B-13



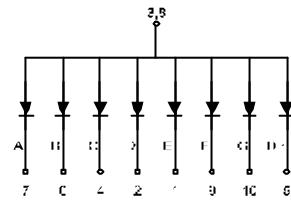
BL-S80X-14 Series



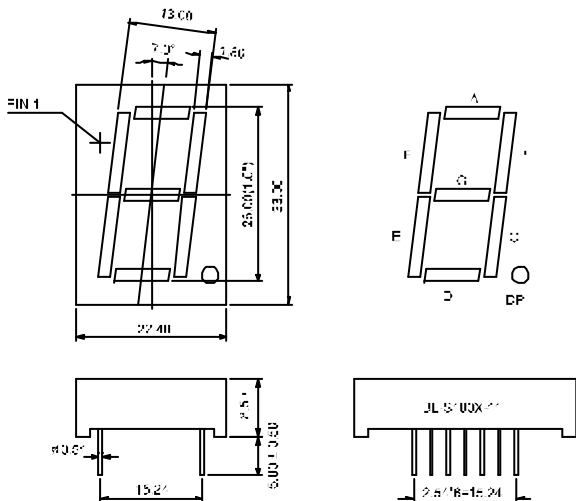
BL-S80A-14



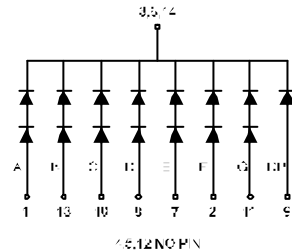
BL-S80B-14



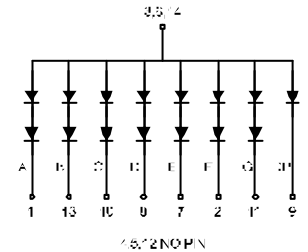
BL-S100X-11 Series



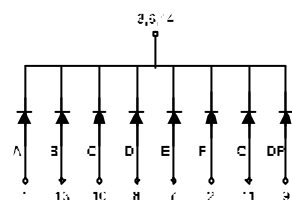
BL-S100A-11



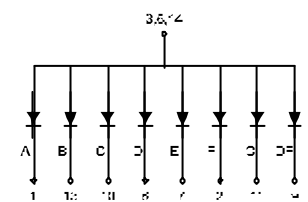
BL-S100B-11



BL-S100C-11



BL-S100D-11

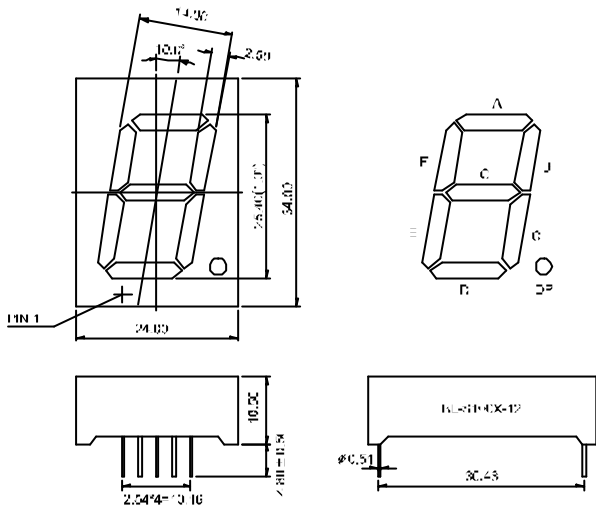


All dimensions are in millimeters (inches)
Tolerance is $\pm 0.25(0.01)$ unless otherwise noted.
Specifications are subject to change without notice.

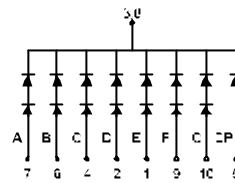
LED Component

SINGLE DIGIT DISPLAY

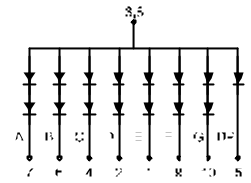
BL-S100X-12 Series



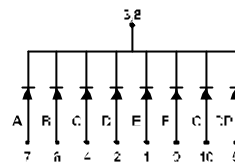
BL-S100A-12



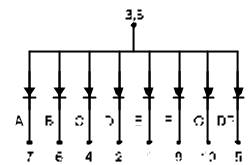
BL-S100B-12



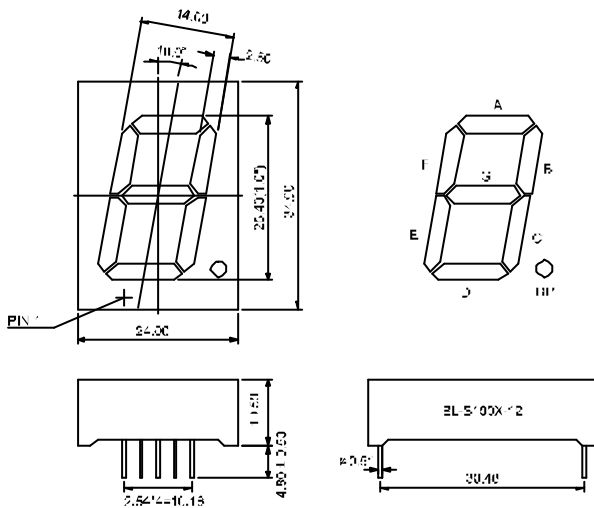
BL-S100C-12



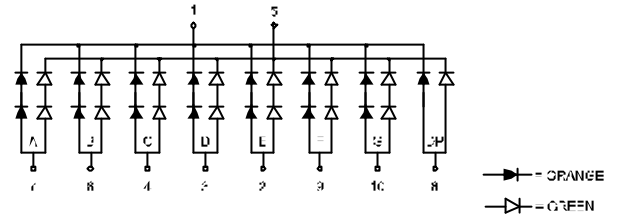
BL-S100D-12



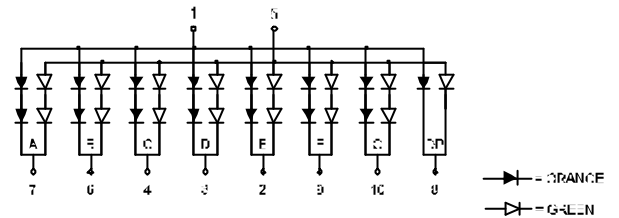
BL-S100X-12 Series



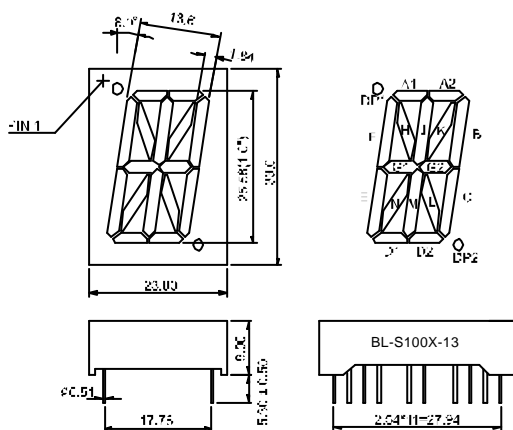
BL-S100A-12EG



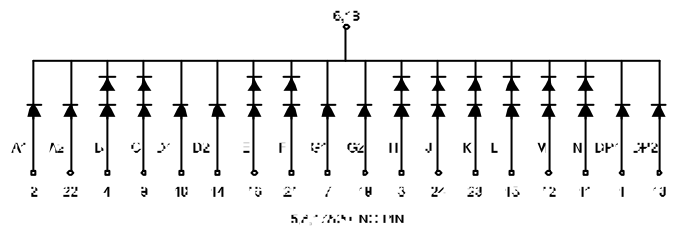
BL-S100B-12EG



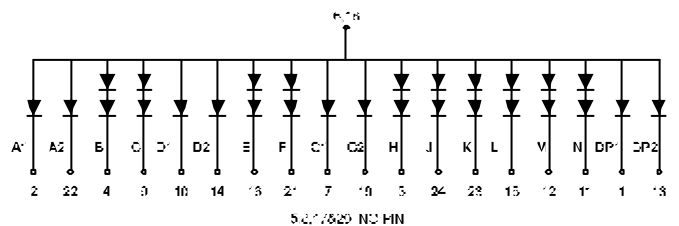
BL-S100X-13Series



BL-S100A-13



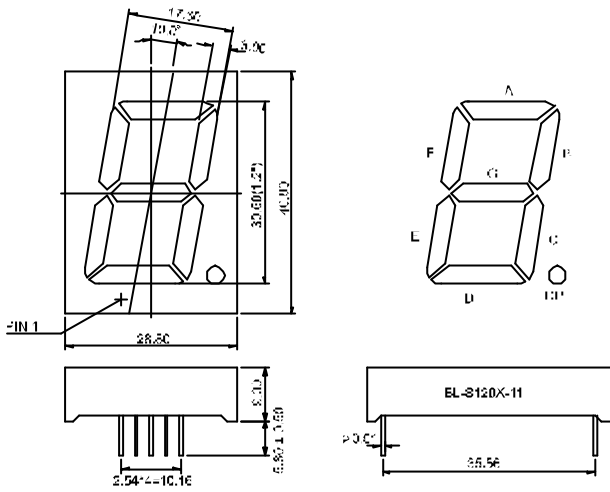
BL-S100B-13



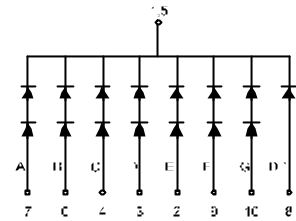
LED Component

SINGLE DIGIT DISPLAY

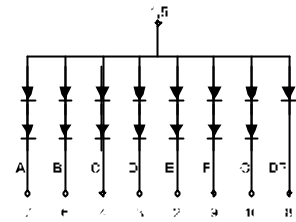
BL-S120X-11 Series



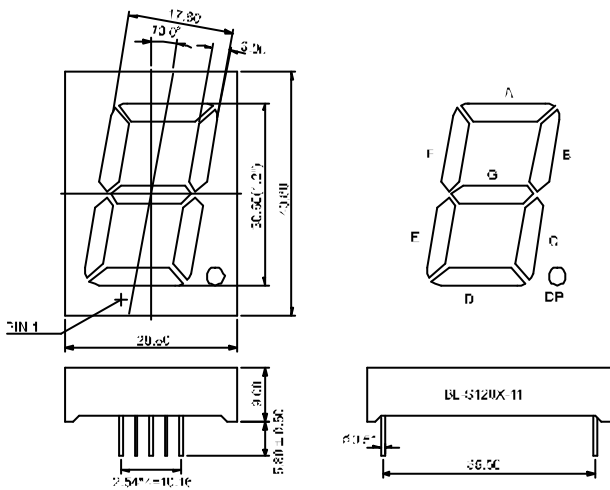
BL-S120A-11



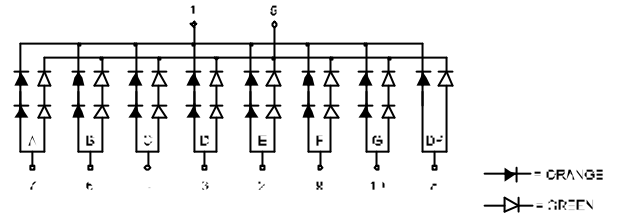
BL-S120B-11



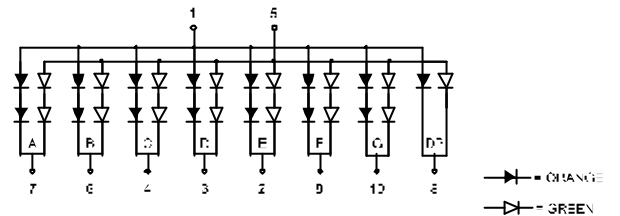
BL-S120X-11 Series



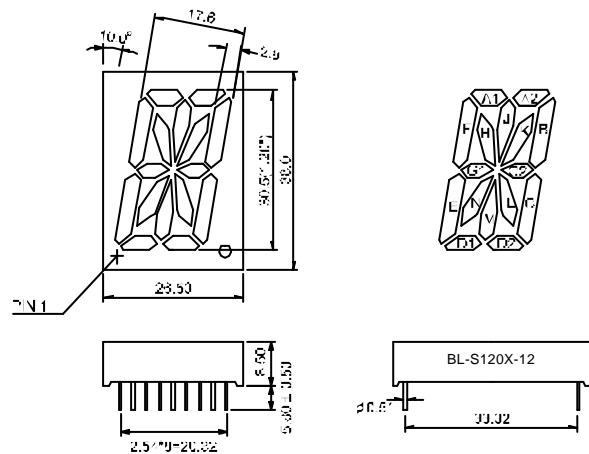
BL-S120A-11EG



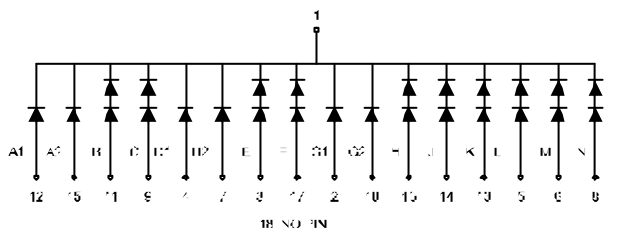
BL-S120B-11EG



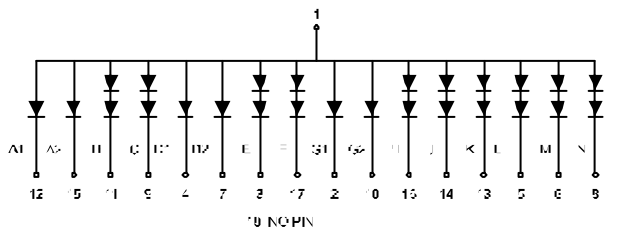
BL-S120X-12Series



BL-S120A-12



BL-S120B-12

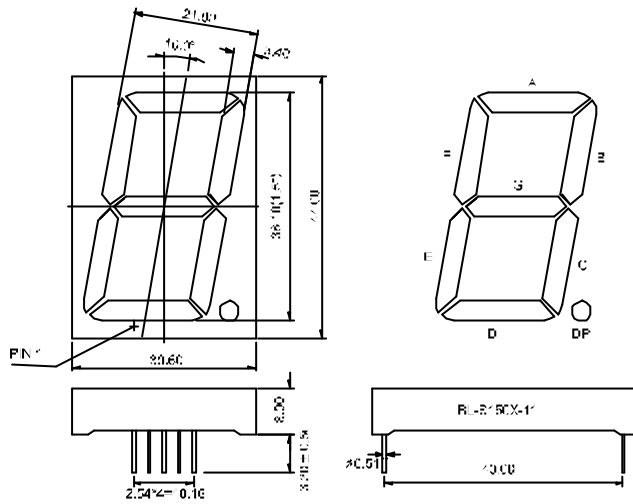


All dimensions are in millimeters (inches)
Tolerance is $\pm 0.25(0.01)$ unless otherwise noted.
Specifications are subject to change without notice.

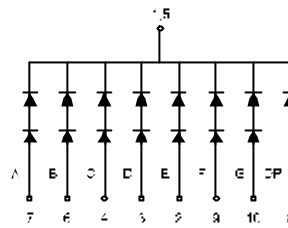
LED Component

SINGLE DIGIT DISPLAY

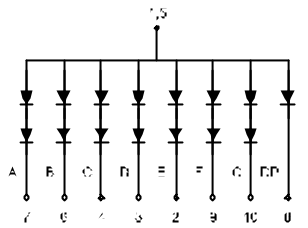
BL-S150X-11 Series



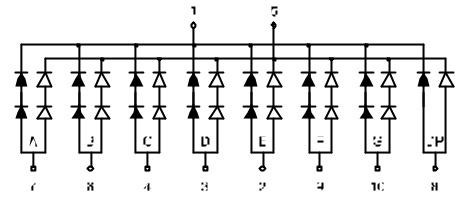
BL-S150A-11



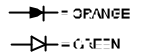
BL-S150B-11



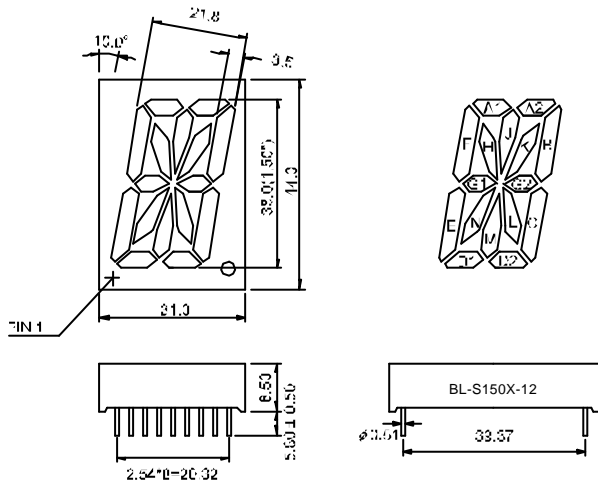
BL-S150A-11EG



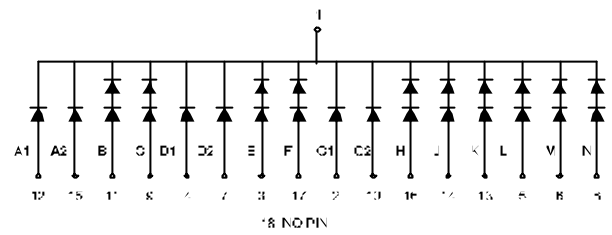
(BL-S150B-11EG C.C.)



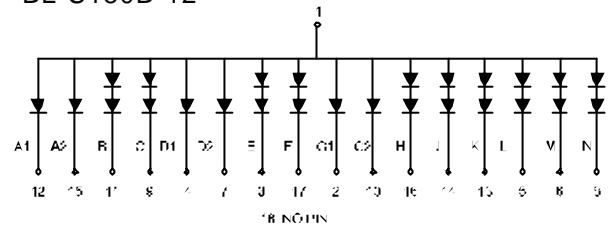
BL-S150X-12Series



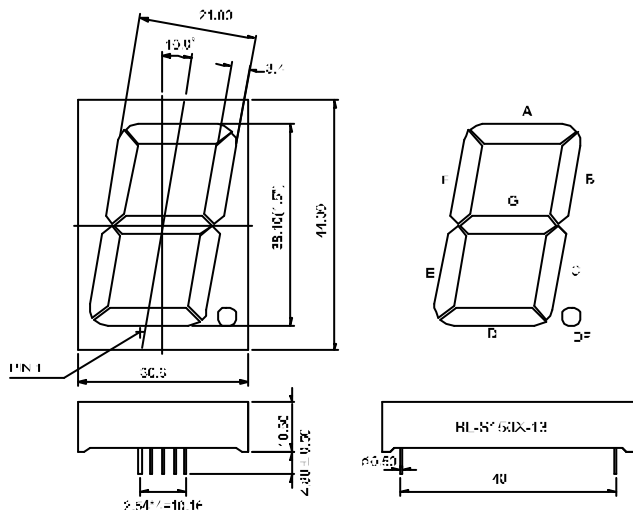
BL-S150A-12



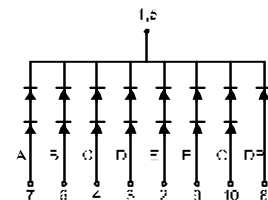
BL-S150B-12



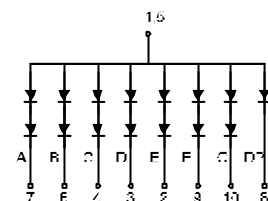
BL-S150X-13 Series



BL-S150A-13



BL-S150B-13

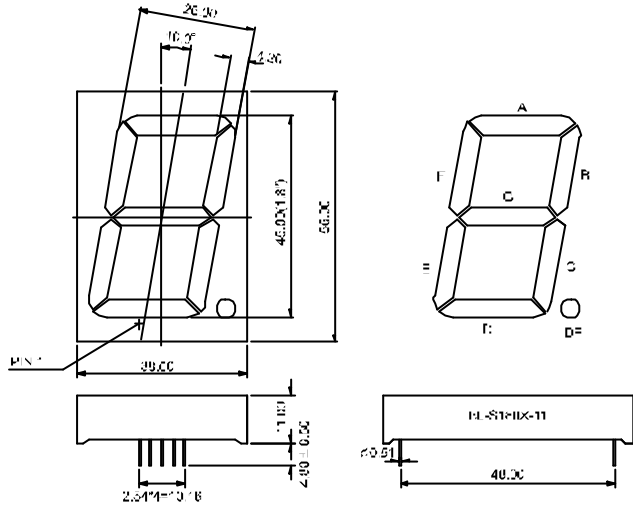


All dimensions are in millimeters (inches)
Tolerance is $\pm 0.25(0.01)$ unless otherwise noted.
Specifications are subject to change without notice.

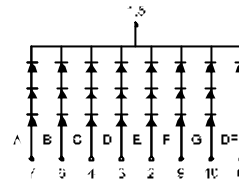
LED Component

SINGLE DIGIT DISPLAY

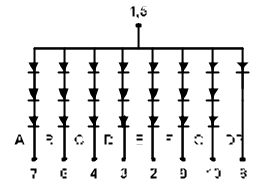
BL-S180X-11 series



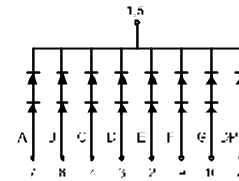
BL-S180A-11



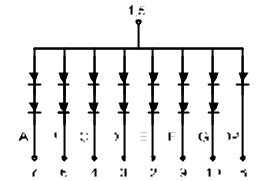
BL-S180B-11



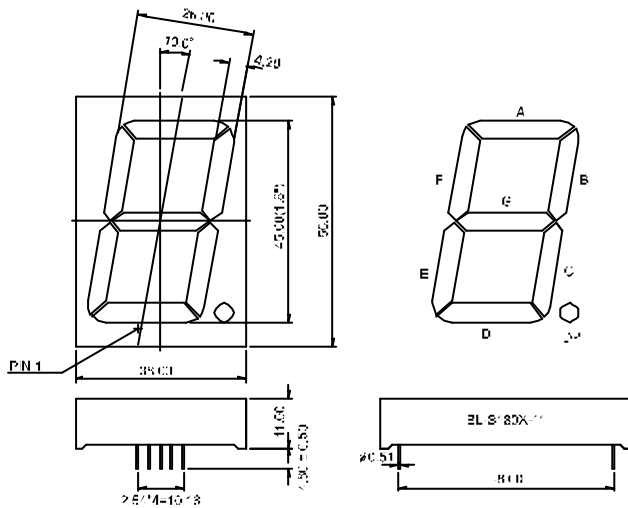
BL-S180C-11



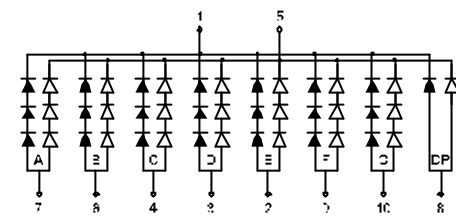
BL-S180D-11



BL-S180X-11 series

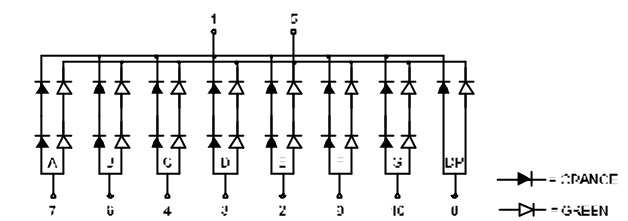


BL-S180A-11EG



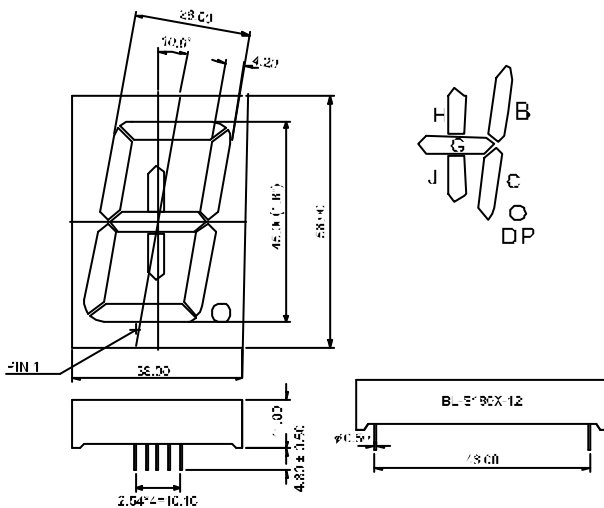
(BL-S180B-11EG C.C.)

BL-S180C-11EG

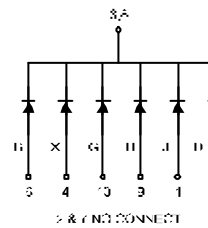


(BL-S180D-11EG C.C.)

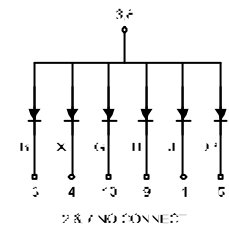
BL-S180X-12Series



BL-S180A-12



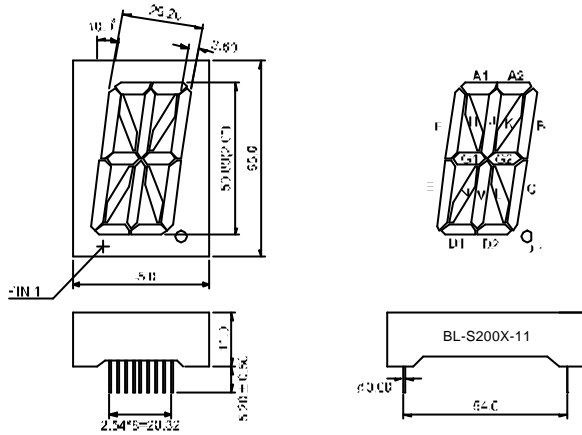
BL-S180B-12



LED Component

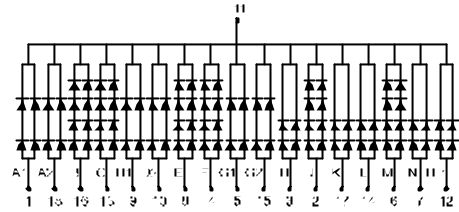
SINGLE DIGIT DISPLAY

BL-S200X-11 Series



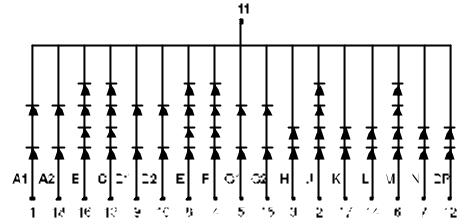
BL-S200A-11

(BL-S200B-11 C.C.)

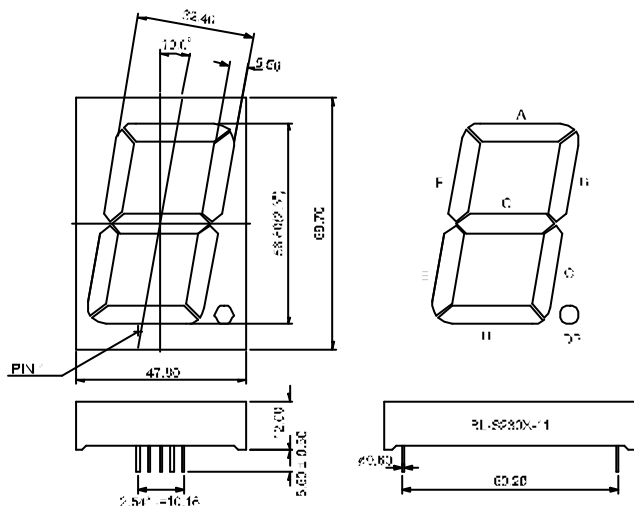


BL-S200C-11

(BL-S200D-11 C.C.)

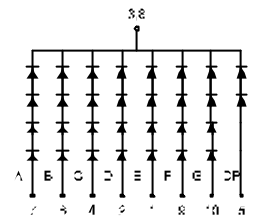
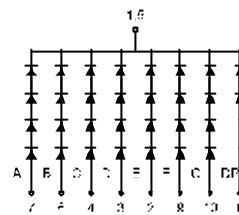


BL-S230X-11 Series



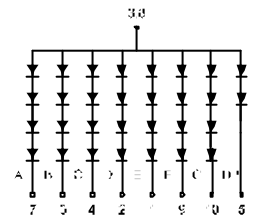
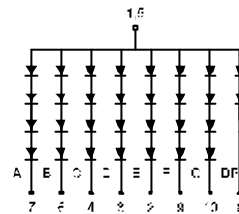
BL-S230A-11

BL-S230C-11

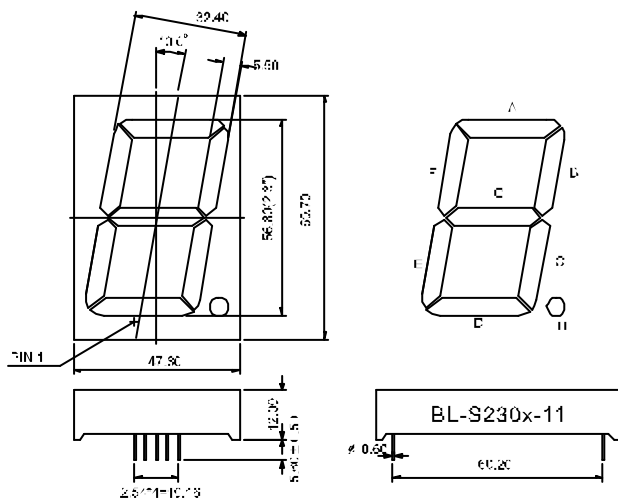


BL-S230B-11

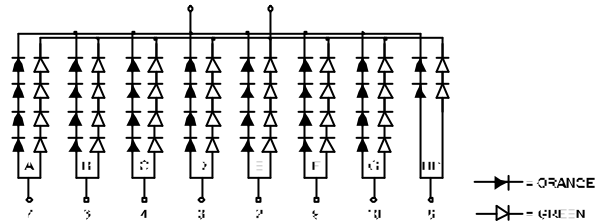
BL-S230D-11



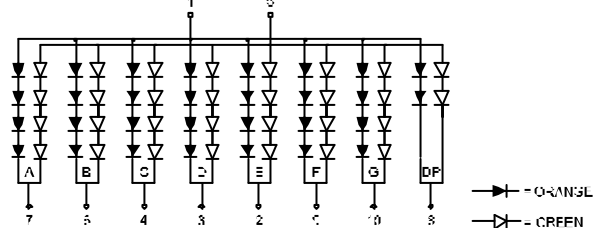
BL-S230X-11 Series



BL-S230A-11EG



BL-S230B-11EG

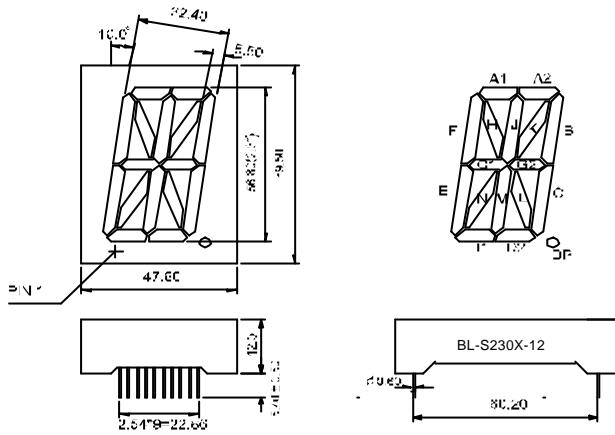


All dimensions are in millimeters (inches)
Tolerance is $\pm 0.25(0.01)$ unless otherwise noted.
Specifications are subject to change without notice.

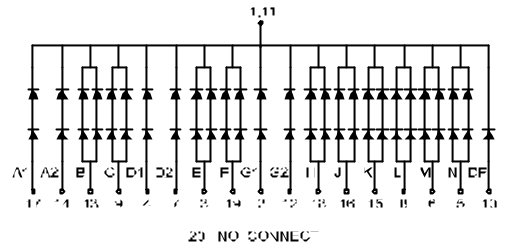
LED Component

SINGLE DIGIT DISPLAY

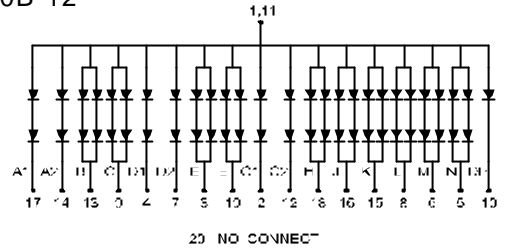
BL-S230X-12 Series



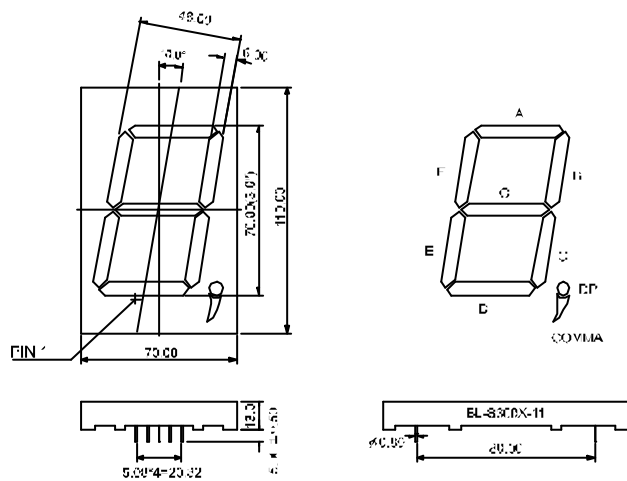
BL-S230A-12



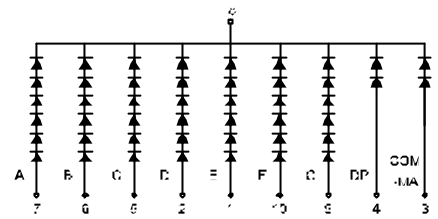
BL-S230B-12



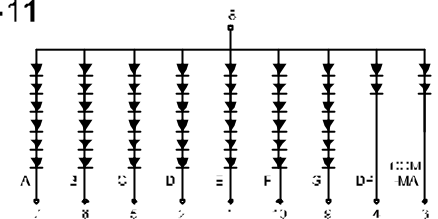
BL-S300X-11 Series



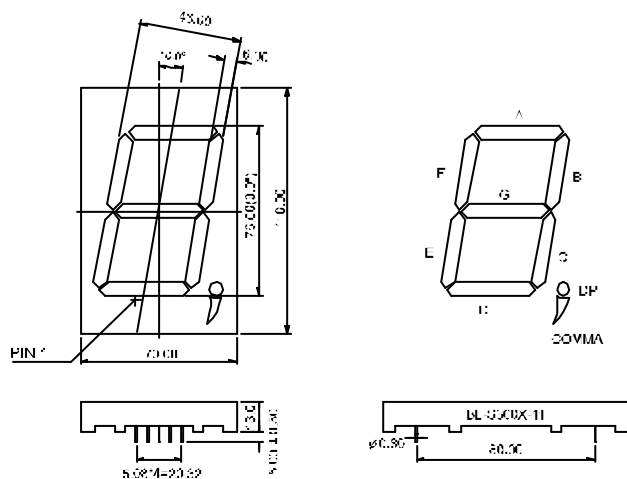
BL-S300A-11



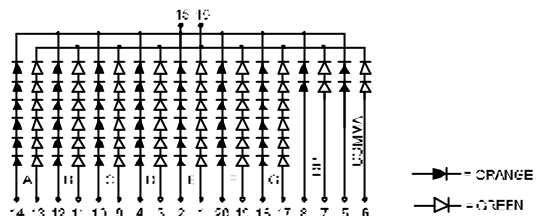
BL-S300B-11



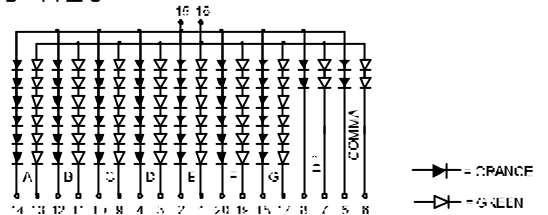
BL-S300X-11 Series



BL-S300A-11EG



BL-S300B-11EG

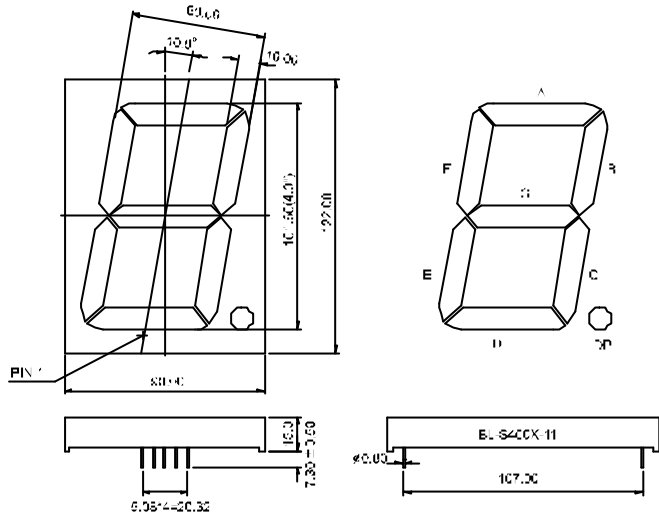


All dimensions are in millimeters (inches)
Tolerance is $\pm 0.25(0.01)$ unless otherwise noted.
Specifications are subject to change without notice.

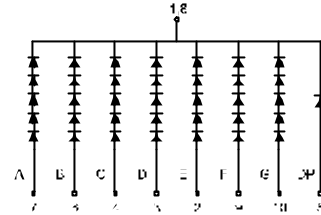
LED Component

SINGLE DIGIT DISPLAY

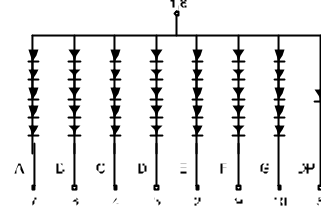
BL-S400X-11 Series



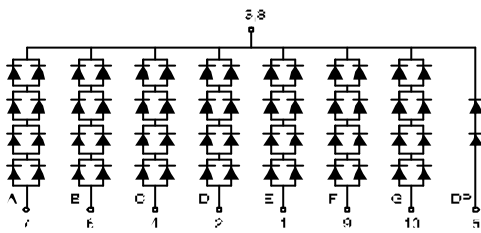
BL-S400A-11



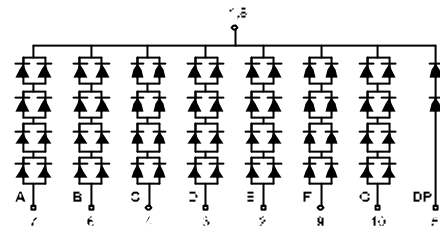
BL-S400B-11



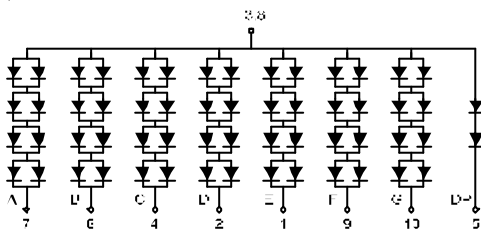
BL-S400E-11



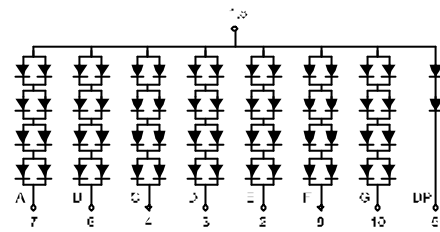
BL-S400C-11



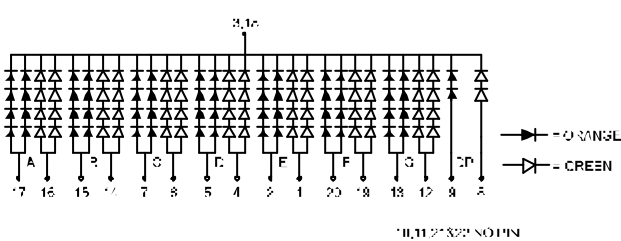
BL-S400F-11



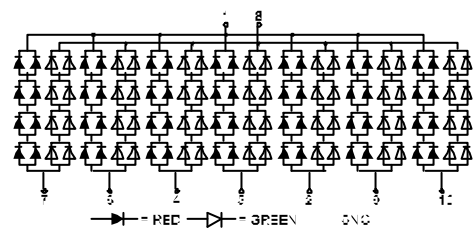
BL-S400D-11



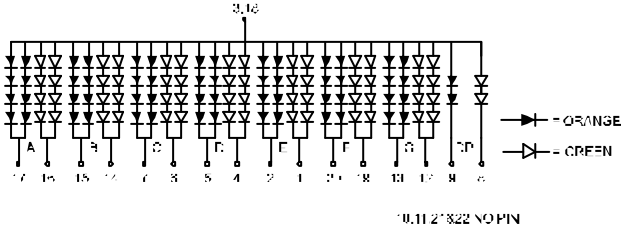
BL-S400A-11EG



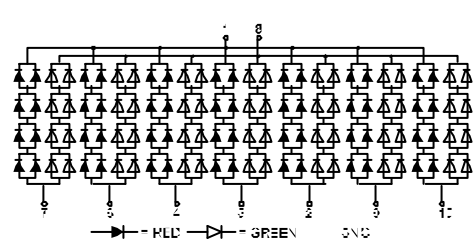
BL-S400C-11EG



BL-S400B-11EG



BL-S400D-11EG

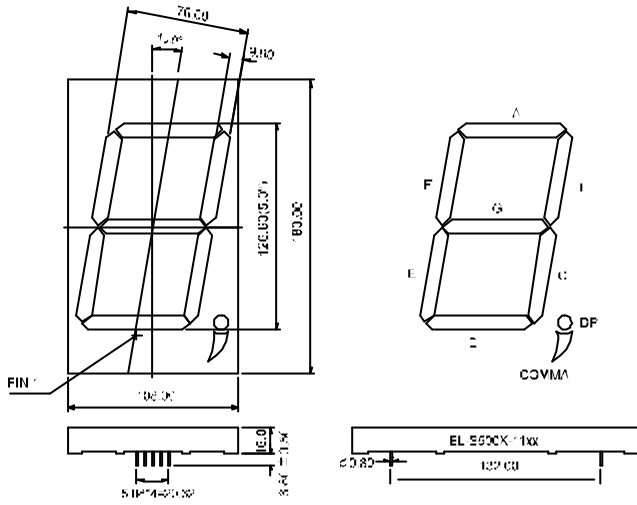


All dimensions are in millimeters (inches)
Tolerance is $\pm 0.25(0.01)$ unless otherwise noted.
Specifications are subject to change without notice.

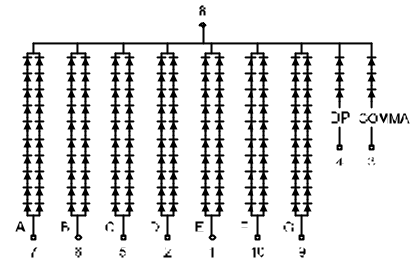
LED Component

SINGLE DIGIT DISPLAY

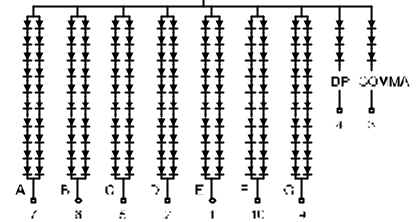
BL-S500X-11 Series



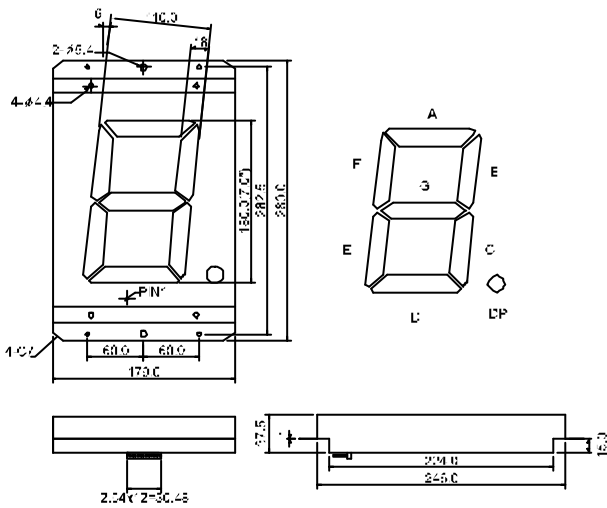
BL-S500A-11



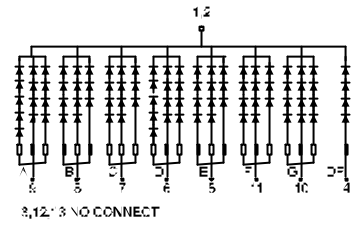
BL-S500B-11



BL-S700X-11 Series



BL-S700A-11



BL-S700B-11

