

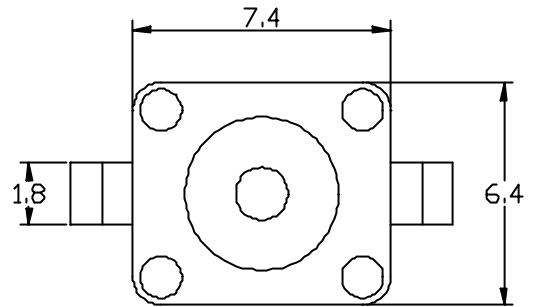
# LED Component

## High Power LED lamp

Part Number	Chip		Lens Type	VF		Flux (lm) @350mA	Viewing Angle 2θ1/2	Drawing
	Emitted Color	λ P (nm) or CTT		Typ	Typ.			

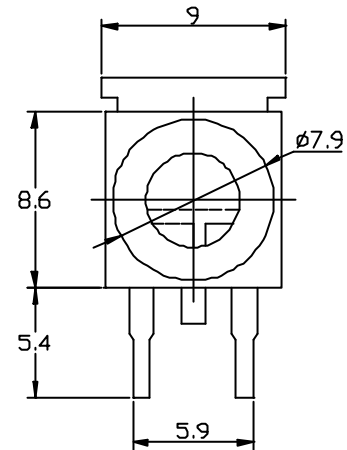
### BL-HP7EXX-1WSeries

Part Number	Color	λ P (nm) or CTT	Lens Type	VF Typ	Flux (lm) @350mA Typ.	Viewing Angle 2θ1/2
BL-HP7EUEC	Orange	630	Water Clear	2.2	45	120
BL-HP7EUYC	Yellow	580		2.2	45	
BL-HP7EUGC	PureGreen	525		3.2	60	
BL-HP7EUBC	Blue	470		3.2	15	
BL-HP7EUWC	White	6000k		3.2	90	
BL-HP7EUW2C	WarmWhite	3200k		3.2	70	



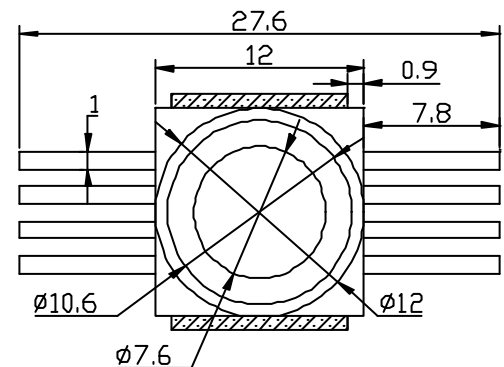
### BL-HP9EXX-1WSeries

Part Number	Color	λ P (nm) or CTT	Lens Type	VF Typ	Flux (lm) @350mA Typ.	Viewing Angle 2θ1/2
BL-HP9EUEC	Orange	630	Water Clear	2.2	45	120
BL-HP9EUYC	Yellow	580		2.2	45	
BL-HP9EPGC	PureGreen	525		3.2	60	
BL-HP9EUBC	Blue	470		3.2	15	
BL-HP9EUWC	White	6000k		3.2	90	
BL-HP9EUW2C	WarmWhite	3200k		3.2	70	



### BL-HP12EXX-5WSeries

Part Number	Color	λ P (nm) or CTT	Lens Type	VF Typ	Flux (lm) @350mA Typ.	Viewing Angle 2θ1/2
BL-HP12EUEC	Orange	630	Water Clear	2.2	160	100
BL-HP12EUYC	Yellow	580		2.2	160	
BL-HP12EPGC	PureGreen	525		6.4	250	
BL-HP12EUBC	Blue	470		6.4	60	
BL-HP12EUWC	White	6000k		6.4	300	
BL-HP12EUW2C	WarmWhite	3200k		6.4	200	



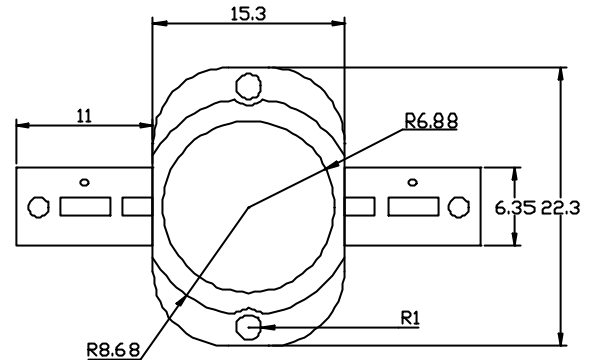
# LED Component

## High Power LED lamp

Part Number	Chip		Lens Type	VF	Flux (lm) @350mA	Viewing Angle 2θ1/2	Drawing
	Emitted Color	λ P (nm) or CTT		Typ	Typ.		

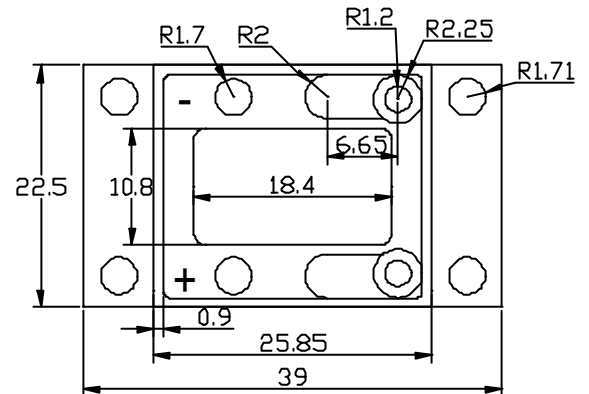
### BL-HP15EXX-10W Series

Part Number	Color	λ P (nm)	Lens Type	VF	Flux (lm)	Viewing Angle
BL-HP15EUEC	Orange	630	Water Clear	6.5	300	105
BL-HP15EUYC	Yellow	580		6.5	300	
BL-HP15EUGC	PureGreen	525		10	500	
BL-HP15EUBC	Blue	470		10	150	
BL-HP15EUWC	White	6000k		10	500	
BL-HP15EUW2C	WarmWhite	3200k		10	400	



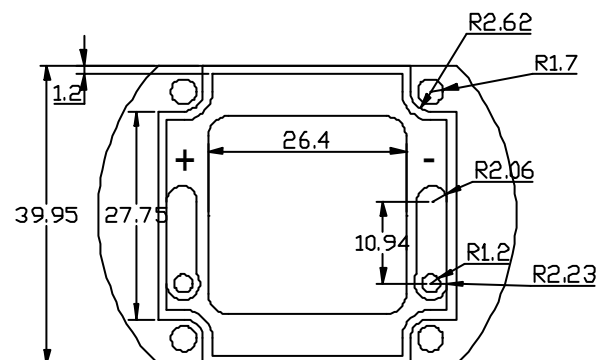
### BL-HP26EXX-30W Series

Part Number	Color	λ P (nm)	Lens Type	VF	Flux (lm)	Viewing Angle
BL-HP26EUEC	Orange	630	Water Clear	13	800	105
BL-HP26EUYC	Yellow	580		13	800	
BL-HP26EPGC	PureGreen	525		18	2000	
BL-HP26EUBC	Blue	470		18	250	
BL-HP26EUWC	White	6000k		18	1500	
BL-HP26EUW2C	WarmWhite	3200k		18	1200	



### BL-HP39EXX-100W Series

Part Number	Color	λ P (nm)	Lens Type	VF	Flux (lm)	Viewing Angle
BL-HP39EUEC	Orange	630	Water Clear	22.0	3500	105
BL-HP39EUYC	Yellow	580		22.0	3500	
BL-HP39EPGC	PureGreen	525		36.0	4500	
BL-HP39EUBC	Blue	470		36.0	1200	
BL-HP39EUWC	White	6000k		36.0	6000	
BL-HP39EUW2C	WarmWhite	3200k		36.0	4000	



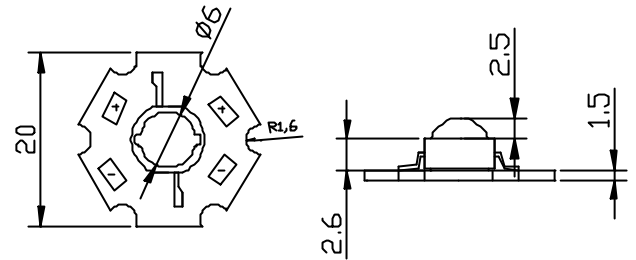
# LED Component

## High Power LED lamp

1W Star with Batwing type P/N	Chip		Lens Type	VF		Flux (lm) @350mA	Viewing Angle 201/2	Drawing
	Emitted Color	$\lambda_p$ (nm) or CTT		Typ	Typ.			

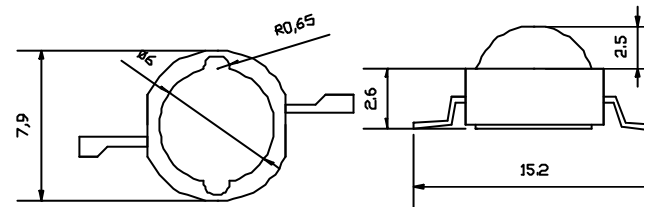
### 1W Star with Lambertian type

P/N	Color	$\lambda_p$ (nm)	Lens Type	VF Typ	Flux (lm) Typ.	Viewing Angle
BL-HP20AUUECL	Orange	630	Water Clear	2.2	27	20
BL-HP20AUUYCL	Yellow	580		2.2	25	
BL-HP20APGCL	Pure Green	525		3.2	25	
BL-HP20AURCL	Blue	470		3.5	15	
BL-HP20AUWCL	White	6000k		3.5	30	
BL-HP20AUW2CL	Warm White	3200k		3.5	25	



### 1W Lambertian Emitter

P/N	Color	$\lambda_p$ (nm)	Lens Type	VF Typ	Flux (lm) Typ.	Viewing Angle
BL-IP20EUECL	Orange	630	Water Clear	2.2	27	20
BL-IP20EUUYCL	Yellow	580		2.2	25	
BL-IP20EPGCL	Pure Green	525		3.2	25	
BL-IP20EUBCL	Blue	470		3.5	15	
BL-IP20EUWCL	White	6000k		3.5	30	
BL-IP20EUW2CL	Warm White	3200k		3.5	25	



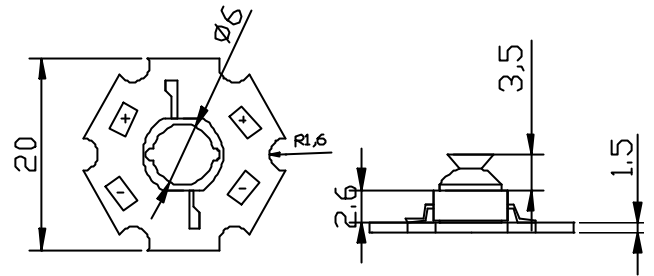
# LED Component

## High Power LED lamp

1W Star with Batwing type P/N	Chip		Lens Type	VF	Flux (lm) @350mA	Viewing Angle 201/2	Drawing
	Emitted Color	$\lambda_p$ (nm) or CTT		Typ	Typ.		

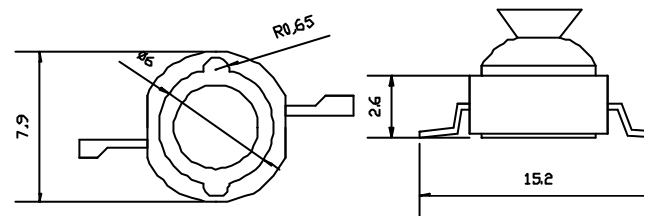
### 1W Star with Side emitting type

P/N	Color	$\lambda_p$ (nm)	Water	VF Typ	Flux (lm) Typ.	Viewing Angle
BL-HP20AUECS	Orange	630	Water	2.2	27	180
BL-IP20AUYCS	Yellow	590		2.2	25	
BL-HP20IAPGCS	Pure Green	525	Clear	3.2	26	
BL-HP20AUBCS	Blue	470		3.5	15	
BL-HP20AUWCS	White	6000k		3.5	30	
BL-HP20AUW2CS	Warm White	3200k		3.5	25	



### 1W Side emitting Emitter

P/N	Color	$\lambda_p$ (nm)	Water	VF Typ	Flux (lm) Typ.	Viewing Angle
BL-HP20EUECS	Orange	630	Water	2.2	27	180
BL-IP20EUYCS	Yellow	590		2.2	25	
BL-HP20EPGCS	Pure Green	525	Clear	3.2	26	
BL-HP20EUBCS	Blue	470		3.5	15	
BL-HP20EUWCS	White	6000k		3.5	30	
BL-HP20EUW2CS	Warm White	3200k		3.5	25	



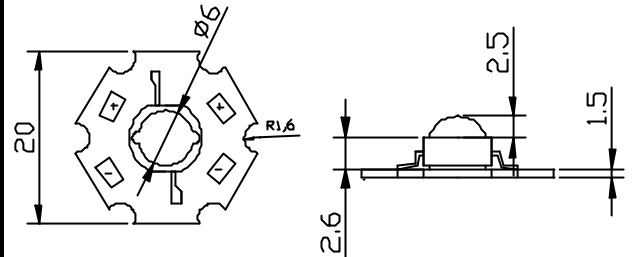
# LED Component

## High Power LED lamp

3W Star with Lambertian type P/N	Chip		Lens Type	VF		Flux (lm) @350mA	Viewing Angle 2ø1/2	Drawing
	Emitted Color	$\lambda_p$ (nm) or CTT		Typ	Typ.			

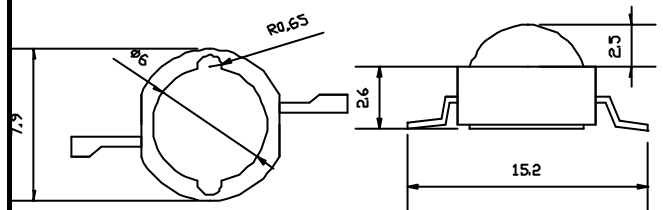
### 3W Star with Lambertian type

P/N	Emitted Color	$\lambda_p$ (nm) or CTT	Lens Type	VF Typ	Flux (lm) @350mA Typ.	Viewing Angle
BL-HP20AUECL-3W	Orange	630	Water	2.2	50	140
BL-HP20AUYCL-3W	Yellow	590		2.2	55	
BL-HP20APGCL-3W	Pure Green	525	Clear	3.2	55	
BL-HP20AU3CL-3W	Blue	470		3.5	20	
BL-HP20AUWCL-3W	White	6000ck	3.5	60		
BL-HP20AUW2CL-3W	Warm White	3200ck	3.5	45		



### 3W Lambertian Emitter

P/N	Emitted Color	$\lambda_p$ (nm) or CTT	Lens Type	VF Typ	Flux (lm) @350mA Typ.	Viewing Angle
BL-HP20EUECL-3W	Orange	630	Water	2.2	50	140
BL-HP20EUYCL-3W	Yellow	590		2.2	55	
BL-HP20EPGCL-3W	Pure Green	525	Clear	3.2	55	
BL-HP20EU3CL-3W	Blue	470		3.5	20	
BL-HP20EUWCL-3W	White	6000ck	3.5	60		
BL-HP20EUW2CL-3W	Warm White	3200ck	3.5	45		



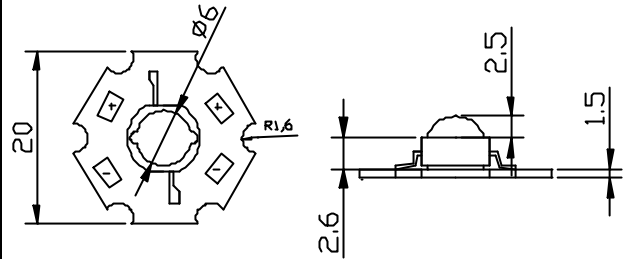
# LED Component

## High Power LED lamp

5W Star with Lambertian type P/N	Chip		Lens Type	VF		Flux (lm) @350mA	Viewing Angle 2ø1/2	Drawing
	Emitted Color	$\lambda P$ (nm) or CTT		Typ	Typ.			

### 5W Star with Lambertian type

P/N	Color	$\lambda P$ (nm)	Water / Clear	VF Typ	Flux (lm) @350mA	Viewing Angle
BL-HP20AUECL-5W	Orange	630	Water / Clear	68	160	140
BL-HP20AUYCL-5W	Yellow	590		68	170	
BL-HP20APGCL-5W	Pure Green	525		68	120	
BL-HP20AU3CL-5W	Blue	470		68	40	
BL-HP20AUWCL-5W	White	6000ck		68	110	
BL-HP20AUW2CL-5W	Warm White	3200ck		68	95	



### 5W Lambertian Emitter

P/N	Color	$\lambda P$ (nm)	Water / Clear	VF Typ	Flux (lm) @350mA	Viewing Angle
BL-HP20EUECL-5W	Orange	630	Water / Clear	68	160	140
BL-HP20EUYCL-5W	Yellow	590		68	170	
BL-HP20EPGCL-5W	Pure Green	525		68	120	
BL-HP20EU3CL-5W	Blue	470		68	40	
BL-HP20EUWCL-5W	White	6000ck		68	110	
BL-HP20EUW2CL-5W	Warm White	3200ck		68	95	

