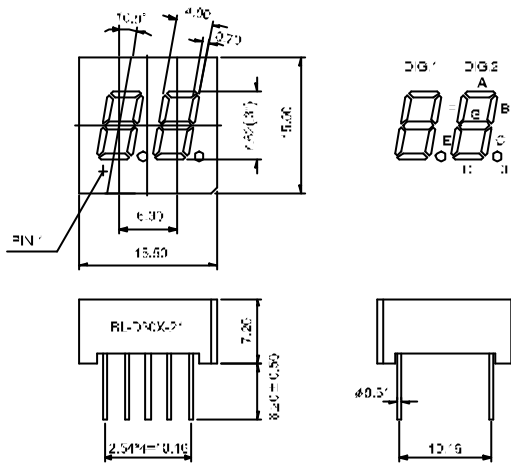


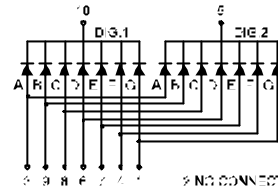
LED Component

DUAL DIGIT DISPLAY

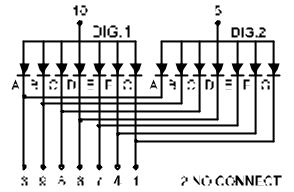
BL-D30X-21 Series



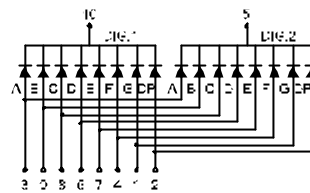
BL-D30A-21



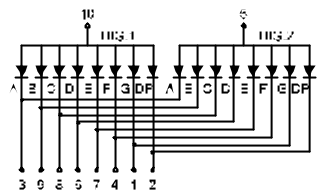
BL-D30B-21



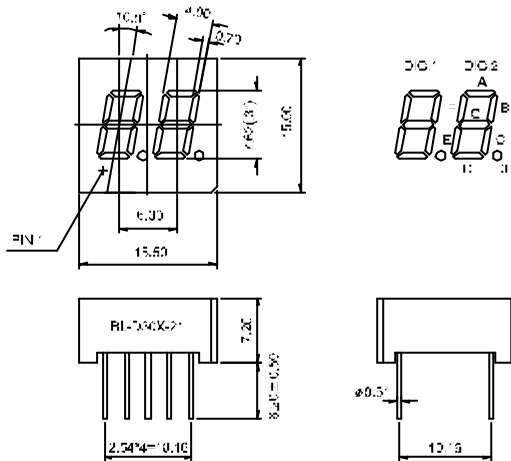
BL-D30C-21



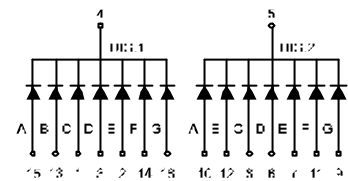
BL-D30D-21



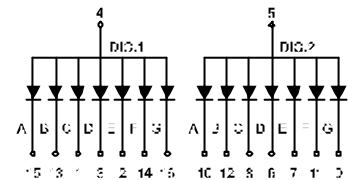
BL-D30X-21 Series



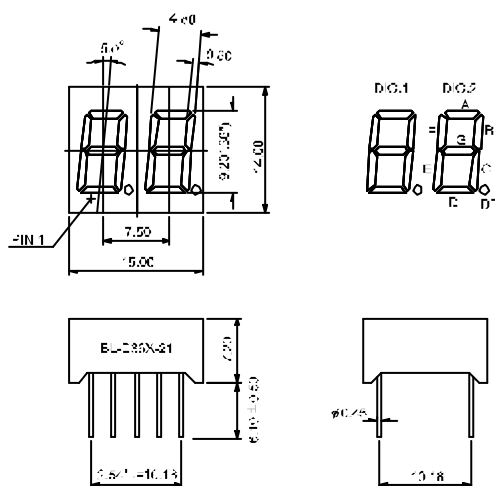
BL-D30E-21



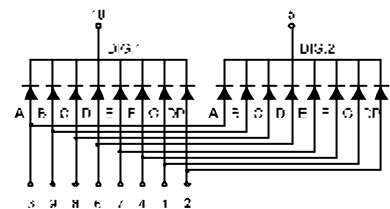
BL-D30F-21



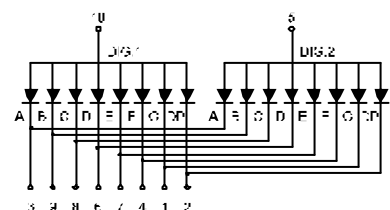
BL-D36X-21 Series



BL-D36A-21



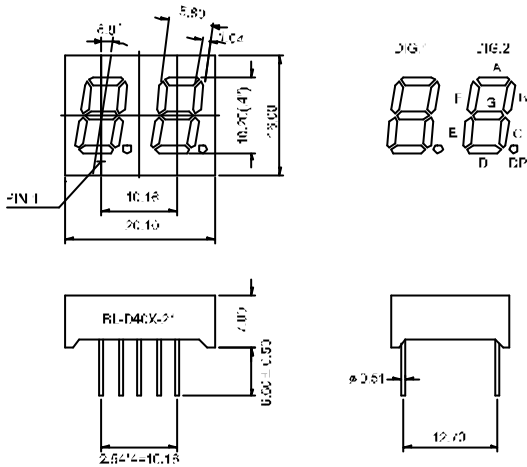
BL-D36B-21



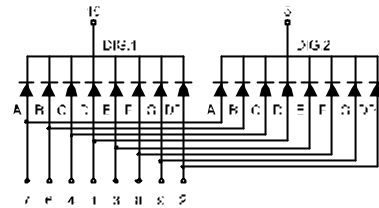
LED Component

DUAL DIGIT DISPLAY

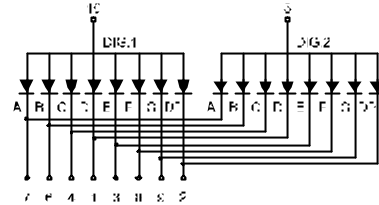
BL-D40X-21 Series



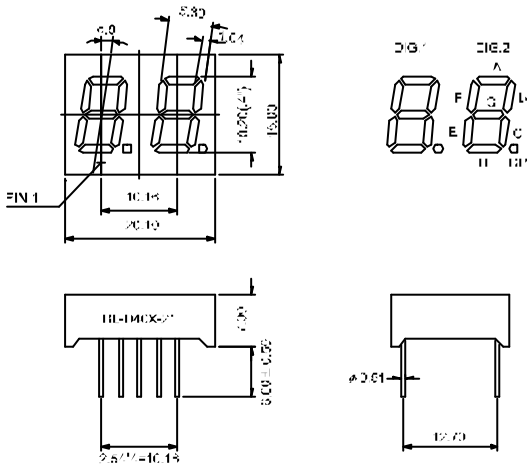
BL-D40A-21



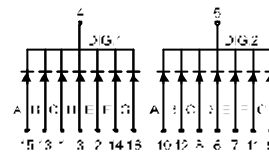
BL-D40B-21



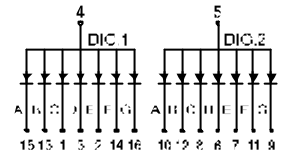
BL-D40X-21 Series



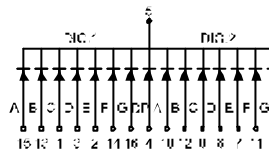
BL-D40C-21



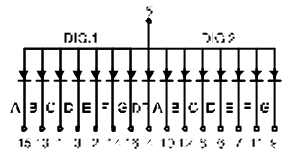
BL-D40D-21



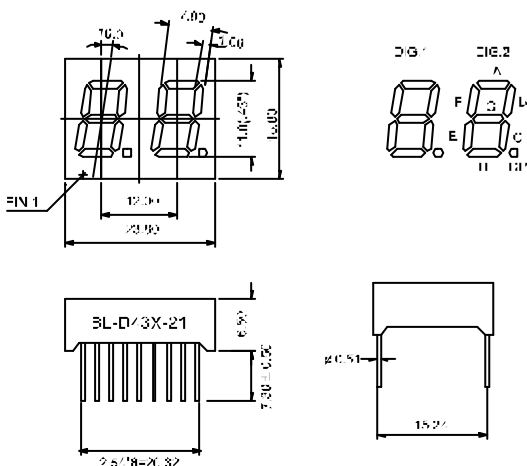
BL-D40E-21



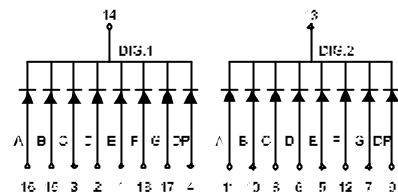
BL-D40F-21



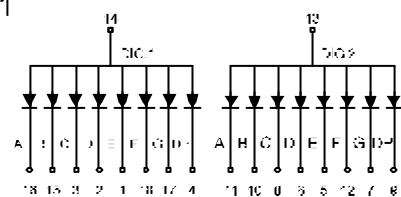
BL-D43X-21 Series



BL-D43A-21



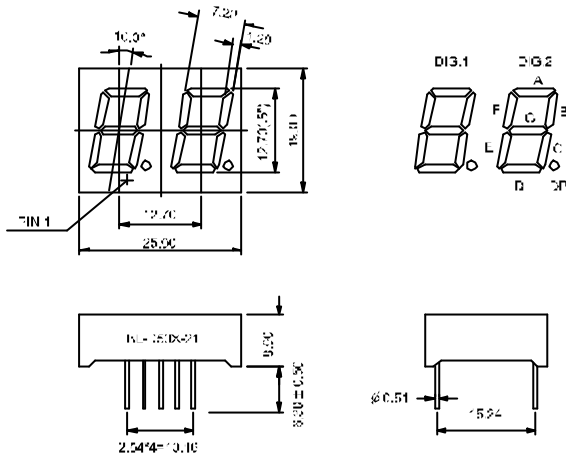
BL-D43B-21



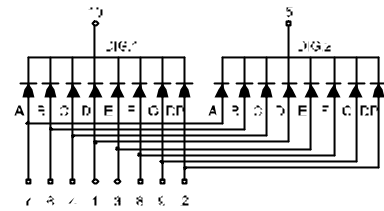
LED Component

DUAL DIGIT DISPLAY

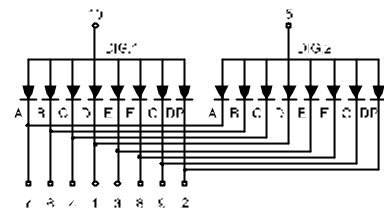
BL-D50X-21 Series



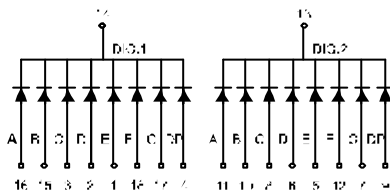
BL-D50A-21



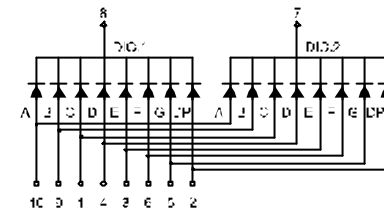
BL-D50B-21



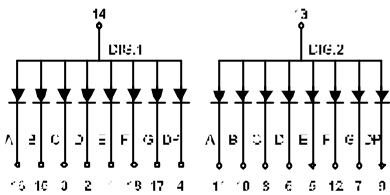
BL-D50C-21



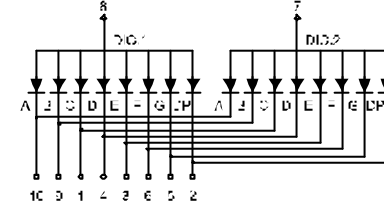
BL-D50E-21



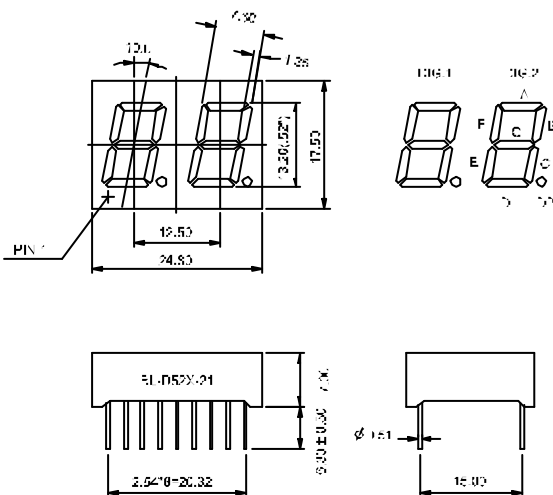
BL-D50D-21



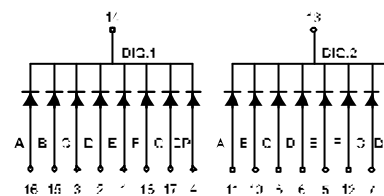
BL-D50F-21



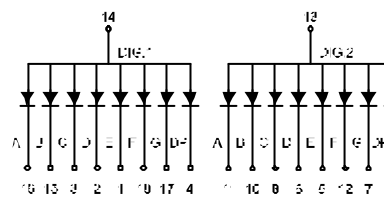
BL-D52X-21 Series



BL-D52A-21



BL-D52B-21

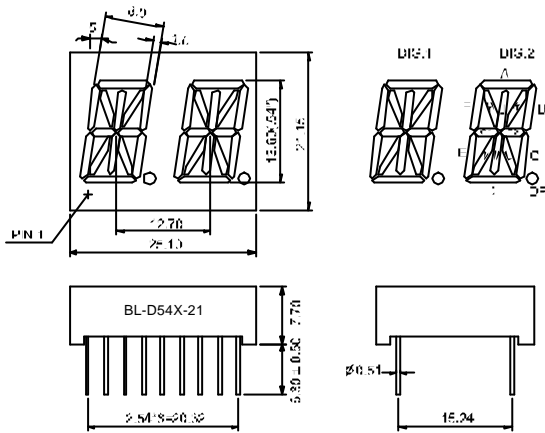


All dimensions are in millimeters (inches)
Tolerance is $\pm 0.25(0.01)$ unless otherwise noted.
Specifications are subject to change without notice.

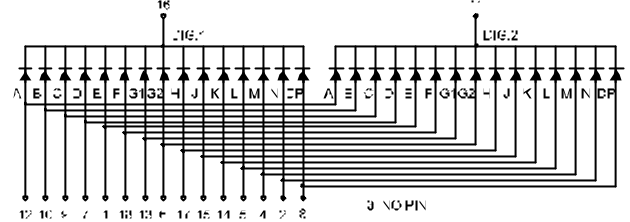
LED Component

DUAL DIGIT DISPLAY

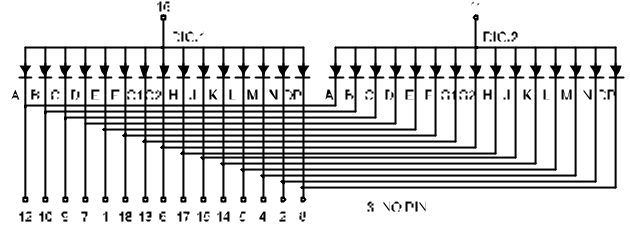
BL-D54X-21 Series



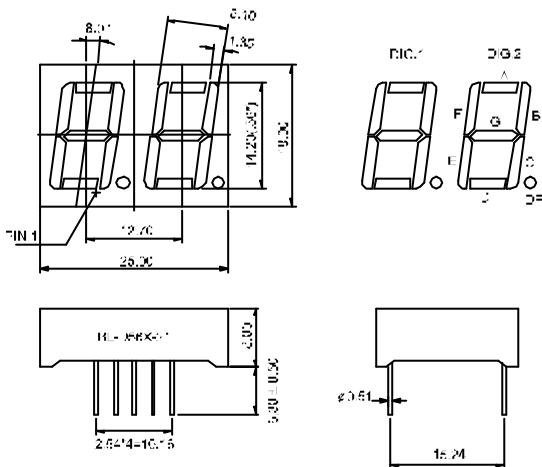
BL-D54A-21



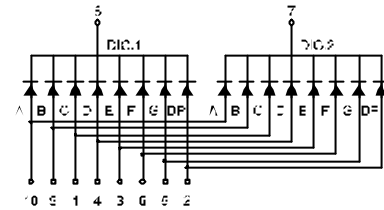
BL-D54B-21



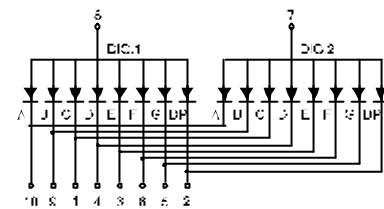
BL-D56X-21 Series



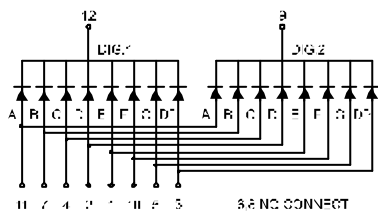
BL-D56A-21



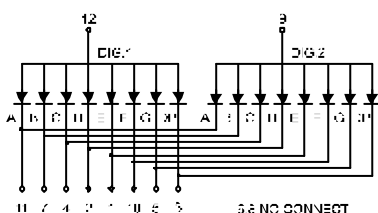
BL-D56B-21



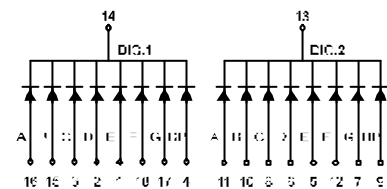
BL-D56C-21



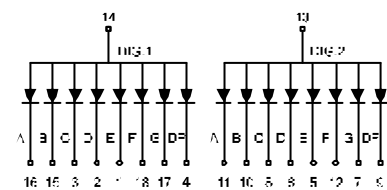
BL-D56D-21



BL-D56E-21



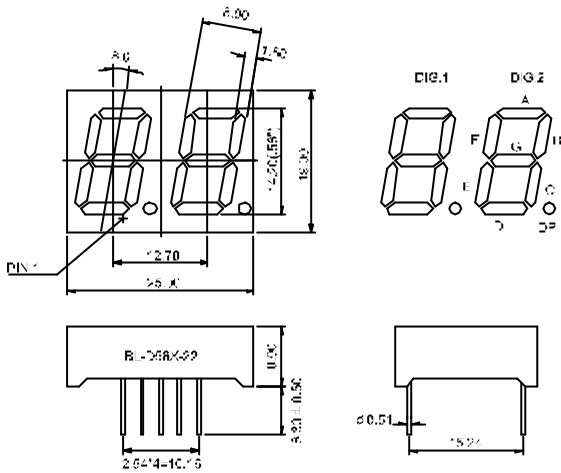
BBL-D56F-21



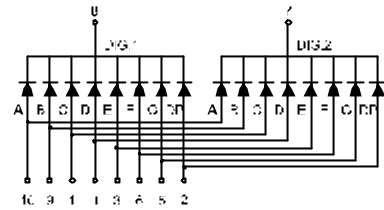
LED Component

DUAL DIGIT DISPLAY

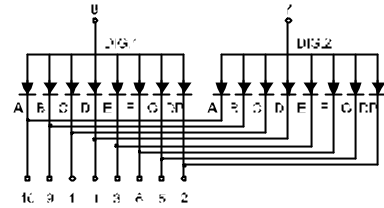
BL-D56X-22 Series



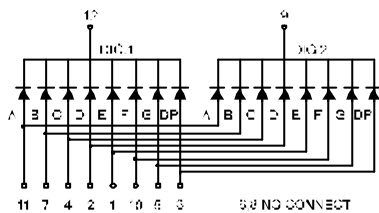
BL-D56A-22



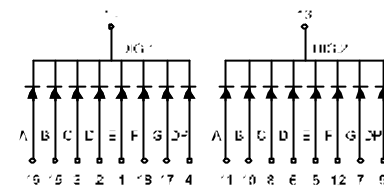
BL-D56B-22



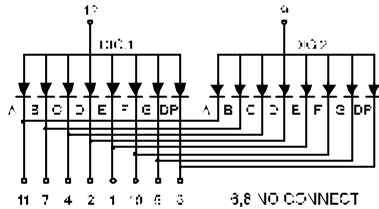
BL-D56C-22



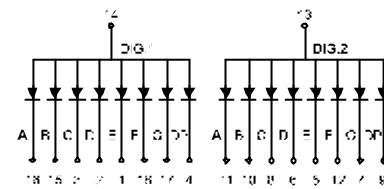
BL-D56E-22



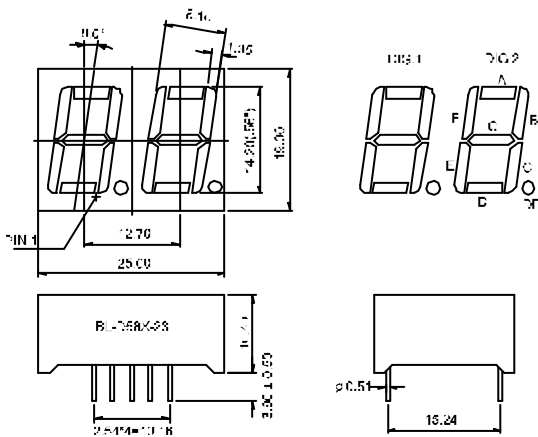
BL-D56D-22



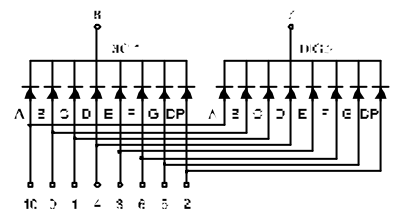
BL-D56F-22



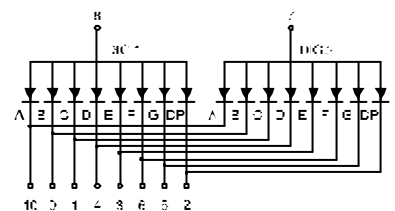
BL-D56X-23 Series



BL-D56A-23



BL-D56B-23

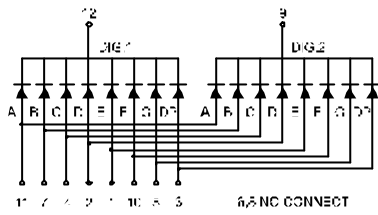


All dimensions are in millimeters (inches)
Tolerance is $\pm 0.25(0.01)$ unless otherwise noted.
Specifications are subject to change without notice.

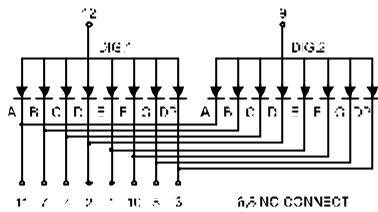
LED Component

DUAL DIGIT DISPLAY

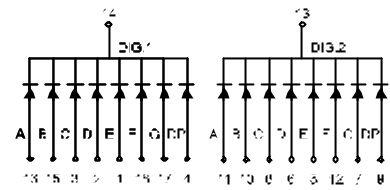
BL-D56C-23



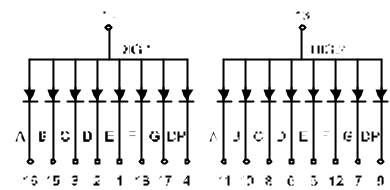
BL-D56D-23



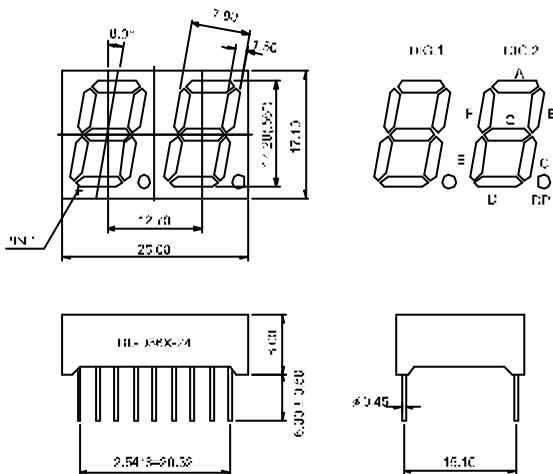
BL-D56E-23



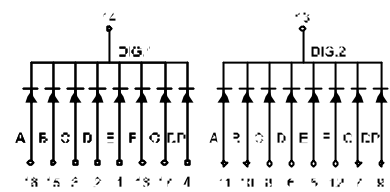
BL-D56F-23



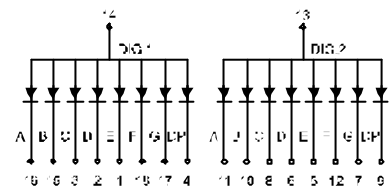
BL-D56X-24 Series



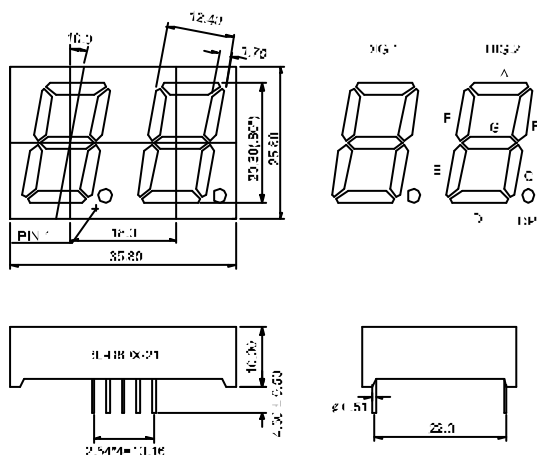
BL-D56A-24



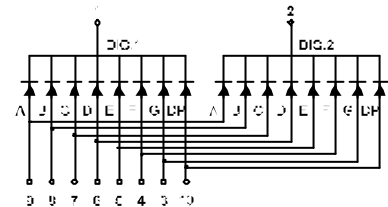
BL-D56B-24



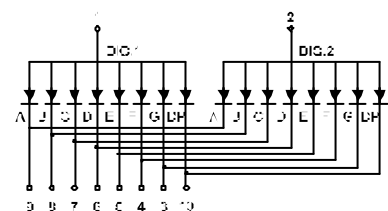
BL-D80X-21 Series



BL-D80A-21



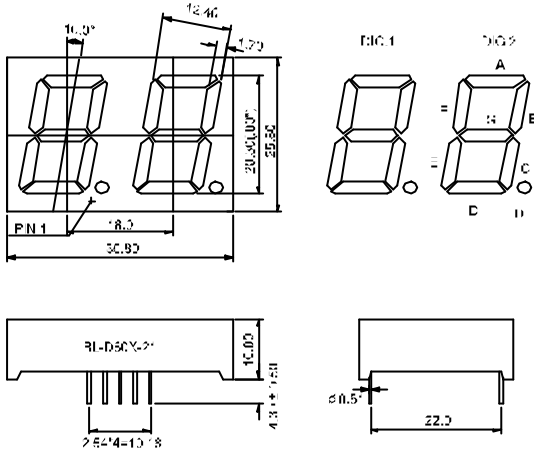
BL-D80B-21



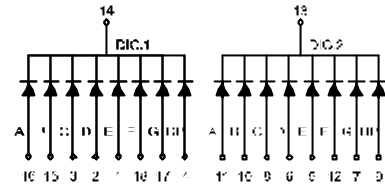
LED Component

DUAL DIGIT DISPLAY

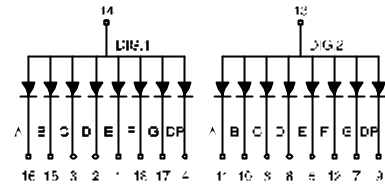
BL-D80X-21 Series



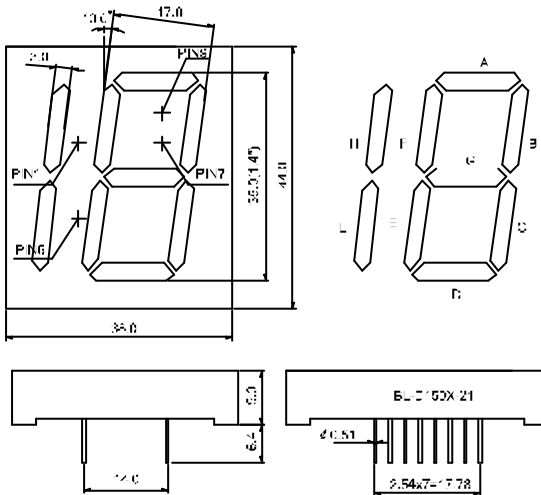
BL-D80C-21



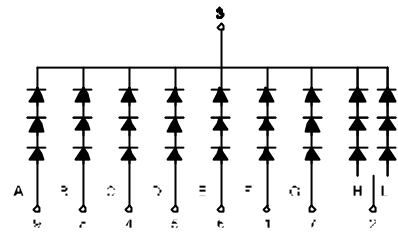
BL-D80D-21



BL-D150X-21 Series



BL-D150A-21



BL-D150B-21

